



Industrial



Comm



Renewable



Automation

## 300 and 600W Constant Current Power Supplies

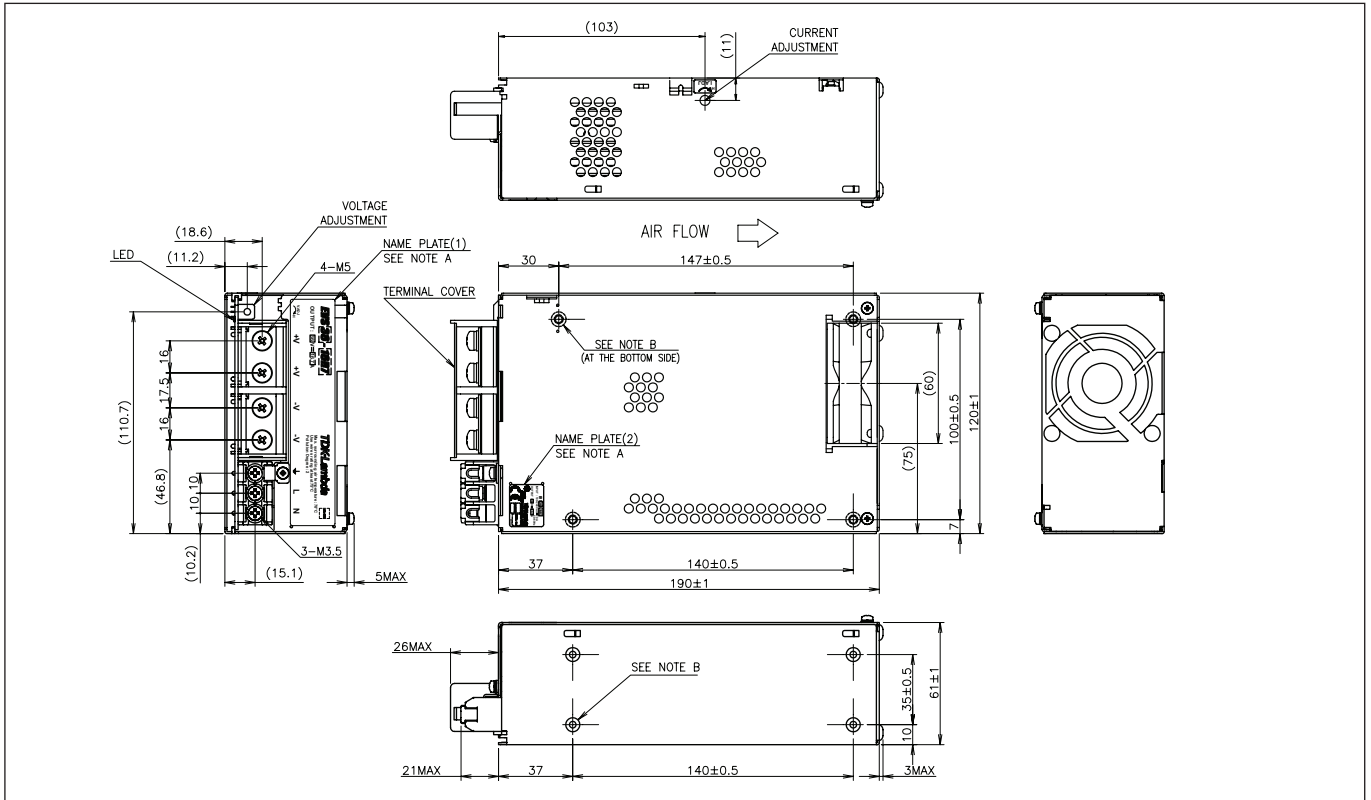
Features	Benefits
• 300W Convection cooled and 600W fan model	• Silent fanless chargers
• CC (constant current) mode	• Quick recharge, avoid battery overcharging
• CV (constant voltage) mode	• Supports charging of 12, 24 and 48V batteries
• 5 Year warranty	• Provides high reliability for battery charger and electrical storage system



Specification			
Model		EVS300	EVS600
Input Voltage	V	85-265VAC (47-63Hz)	85-265VAC (47-63Hz)
Input Current	A	3.6 / 1.8	7.2 / 4.0
Inrush Current (100/200VAC)	A	15 / 30	20 / 40
Power Factor (100/200VAC)	-	0.97/0.93	0.95/0.9
PFHC	-	Meets EN61000-3-2	
Leakage Current	mA	< 0.5mA	< 0.75mA
Temperature Coefficient	%/°C	<0.02%/°C	
Constant Current Setting Accuracy	A	±10%	
Overvoltage Protection	V	18V*: 19.8-23.4V, 36V: 39.6-46.8V, 57V: 62.7-74.1V (* EVS300 only)	
Hold Up Time (Typ)	ms	10ms at 100/110VAC input	
Efficiency (100/200VAC)	%	18V: 86/89%, 36V: 88/91%, 57V: 87/90%	36V: 85/88%, 57V: 84/87%
Remote On/Off	-	Optional	
Series & Parallel Operation	-	Yes, see instruction manual	
Operating Temperature (No external airflow)	°C	-20°C to +70°C Derate linearly to 40% load from 45°C to 70°C	-20°C to +70°C Derate linearly to 20% load from 50°C to 70°C
Operating Temperature External airflow (1.4m/s)	°C	-20°C to +70°C Derate linearly to 70% load from 60°C to 70°C	-20°C to +70°C Not applicable (EVS600 has internal fan)
Storage Temperature	°C	-30°C to +75°C	
Humidity (non condensing)	%RH	Operating: 30 - 90%RH, Storage: 10 - 90%RH	
Cooling	-	Convection or forced air	Internal fan
Withstand Voltage	VAC	Input to Ground 2kVAC, Input to Output 3kVAC, Output to Ground 500VAC for 1 min.	
Isolation Resistance	MΩ	>100MΩ at 25°C & 70%RH, Output to Ground 500VDC	
Vibration (non operating)	-	10 - 55Hz (1 minute sweep), 19.6m/s <sup>2</sup> constant, X, Y, Z 1 hour each	
Shock	-	< 196.1 m/s <sup>2</sup>	
Safety Agency Certifications	-	UL60950-1, CSA60950-1, EN60950-1, CE Mark	
Conducted & Radiated EMI	-	EN55011/EN55022-B, FCC Class B, VCCI-B	
Immunity	-	EN61000-4-2, -3, -4, -5, -6, -8, -11; EN61000-6-2	
Weight (Typ)	g	540g (open frame)	1600g
Size (WxHxD)	mm	84 x 42 x 180mm	120 x 61 x 190mm
Warranty	yrs	5	



## Outline Drawing EVS600W Series

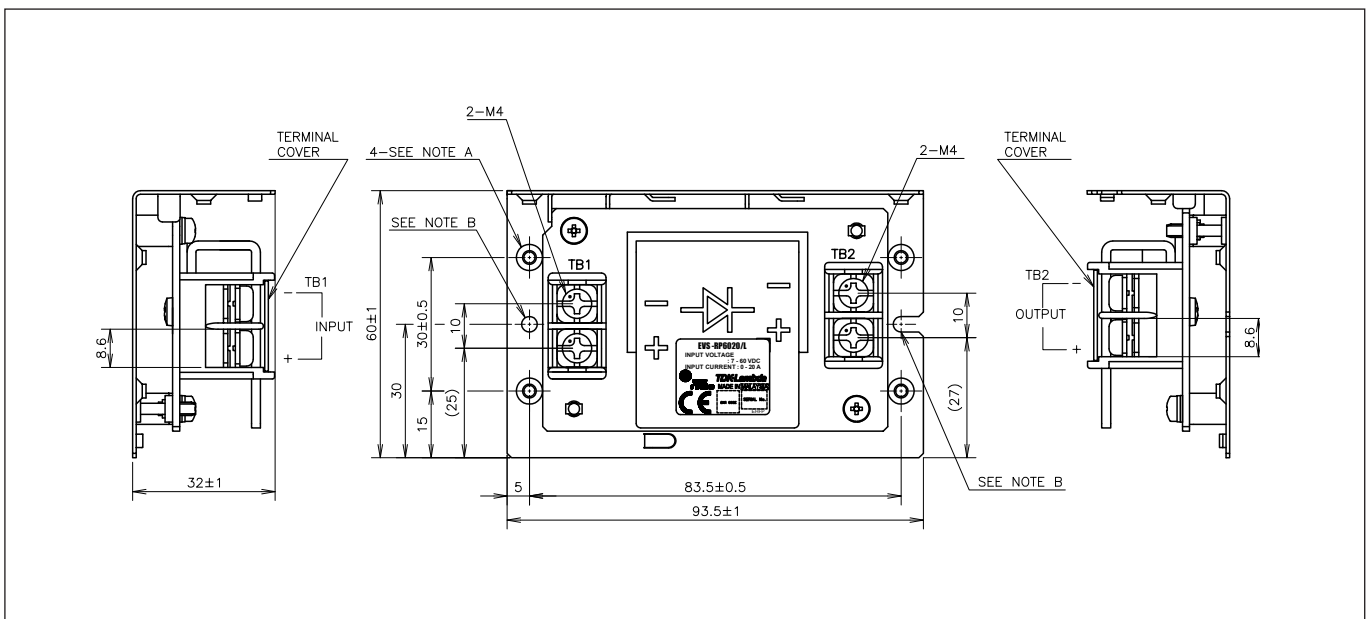


## Accessory

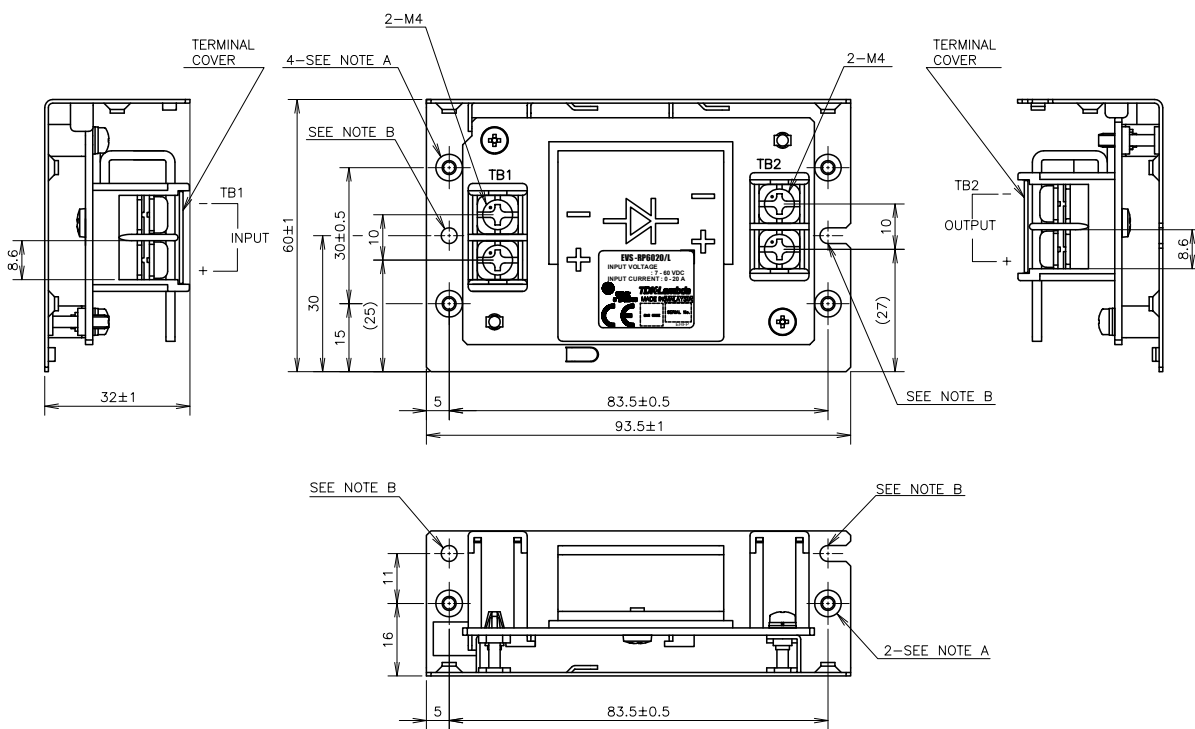
Model	Description
EVS-RP6020	20A Reverse current Prevention module for battery charging use (PCB type) *
EVS-RP6020/L	20A Reverse current Prevention module for battery charging use (on L bracket) *

\* The Reverse current Protection modules EVS-RP can also be used as replacement for Diode-modules (as e.g. DLP-PU)  
 - For power up in parallel operation  
 - For Back-up diode (N + I redundant operation)

## Outline Drawing EVS-RP6020 (Open frame)



## Outline Drawing EVS-RP6020/L Series



**Notes:**

- A: M3 embossed tapped and countersink holes (6) are for customer's chassis mounting
- B: Dia 3.5mm holes (2) and R1.75 slot holes (2) are for customer's chassis mounting holes
- C: Model name, input range and input current are shown here in accordance with the specifications
- D: Country of manufacture will be shown here

**Accessories:**

- \* Terminal cover for barrier terminal strip —2 (attached on terminal TB1 and TB2 at shipment)



## TDK-Lambda France SAS

3 Avenue du Canada  
Parc Technopolis  
Bâtiment Sigma  
91940 les Ulis  
France  
Tel: +33 1 60 12 71 65  
Fax: +33 1 60 12 71 66  
france@fr.tdk-lambda.com  
www.fr.tdk-lambda.com



## Italy Sales Office

Via dei Lavoratori 128/130  
20092 Cinisello Balsamo (MI)  
Italy  
Tel: +39 02 61 29 38 63  
Fax: +39 02 61 29 09 00  
info.italia@it.tdk-lambda.com  
www.it.tdk-lambda.com



## Netherlands

info@nl.tdk-lambda.com  
www.nl.tdk-lambda.com



## TDK-Lambda Germany GmbH

Karl-Bold-Strasse 40  
77855 Achern  
Germany  
Tel: +49 7841 666 0  
Fax: +49 7841 5000  
info.germany@de.tdk-lambda.com  
www.de.tdk-lambda.com



## Austria Sales Office

Aredstrasse 22  
2544 Leobersdorf  
Austria  
Tel: +43 2256 655 84  
Fax: +43 2256 645 12  
info@at.tdk-lambda.com  
www.de.tdk-lambda.com



## Switzerland Sales Office

Bahnhofstrasse 50  
8305 Dietlikon  
Switzerland  
Tel: +41 44 850 53 53  
Fax: +41 44 850 53 50  
info@ch.tdk-lambda.com  
www.de.tdk-lambda.com



## Nordic Sales Office

Haderslevvej 36B  
DK-6000 Kolding  
Denmark  
Tel: +45 2911 9556  
info@dk.tdk-lambda.com



## TDK-Lambda UK Ltd.

Kingsley Avenue  
Ilfracombe  
Devon EX34 8ES  
United Kingdom  
Tel: +44 (0) 12 71 85 66 66  
Fax: +44 (0) 12 71 86 48 94  
powersolutions@uk.tdk-lambda.com  
www.uk.tdk-lambda.com



## TDK-Lambda Ltd.

Kibbutz  
Givat Hashlosha 48800  
Israel  
Tel: +9 723 902 4333  
Fax: +9 723 902 4777  
info@tdk-lambda.co.il  
www.tdk-lambda.co.il



## C.I.S.

**Commercial Support:**  
Tel: +7 (495) 665 2627  
**Technical Support:**  
Tel: +7 (812) 658 0463  
info@tdk-lambda.ru  
www.tdk-lambda.ru

## Local Distribution

