

AC AXIAL FAN 120x120x38mm



Housing: Die-Cast Aluminum, Painted Black
 Blade: Thermoplastic PBT, UL 94V-0
 Insulation Resistance: 100MΩ, 500VDC/min between bare wire and frame
 Dielectric Strength: 1500VAC for one minute
 Operation Temperature: -20°C-70°C(Humidity 35%-85%RH)
 Storage Temperature: -40°C-85°C(Humidity 35%-85%RH)
 Motor Protection: Impedance Protected
 Weight: 515 g Packing: 40PCS/CTN

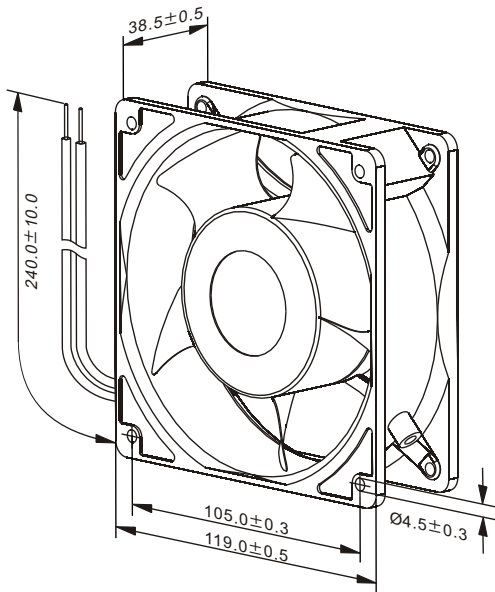


ES IP

Model Number	Voltage (VAC)	Frequency (Hz)	AirFlow (CFM)	Stat.Pres. (mm-H ₂ O)	Noise (dBA)	Speed (RPM)	Current (mA)	Power (W)	Available Bearing	Curves
FA1238B11T1-51	115	50/60	61.0/56.0	2.3/1.8	34.0/33.0	1,900/1,700	80/70	7/6	B,S	①/②
FA1238B11T3-51	115	50/60	61.0/64.0	2.7/2.1	34.0/35.0	2,000/1,900	130/110	11/10	B,S	③/④
FA1238B11T5-51	115	50/60	83.0/81.0	5.2/2.2	43.0/42.0	2,500/2,500	140/130	11/11	B,S	⑤/⑥
FA1238B11T7-51	115	50/60	85.0/97.0	7.1/6.7	44.0/48.0	2,600/3,000	260/210	20/16	B,S	⑦/⑧
FA1238B22T1-51	230	50/60	59.0/59.0	2.3/1.8	33.0/33.0	1,900/1,800	50/40	9/8	B,S	①/②
FA1238B22T3-51	230	50/60	61.0/64.0	2.7/2.1	34.0/35.0	1,900/2,000	70/60	12/10	B,S	③/④
FA1238B22T5-51	230	50/60	83.0/81.0	5.2/2.2	43.0/42.0	2,500/2,500	70/60	12/11	B,S	⑤/⑥
FA1238B22T7-51	230	50/60	85.0/97.0	7.1/6.7	44.0/48.0	2,700/3,100	130/100	20/16	B,S	⑦/⑧

- For "Sleeve" bearing version, change the "B" in the model number to "S".
- For "Wire Lead" version, change the "T" in the model number to "W".

Specifications are subject to change without notice



unit: mm

