

AC AXIAL FAN 120x120x38mm



Housing: Die-Cast Aluminum, Painted Black
 Blade: Thermoplastic PBT, UL 94V-0
 Insulation Resistance: 100M Ω , 500VDC/min between bare wire and frame
 Dielectric Strength: 1500VAC for one minute
 Operation Temperature: -10°C~70°C(Humidity 35%-85%RH)
 Storage Temperature: -40°C~85°C(Humidity 35%-85%RH)
 Motor Protection: Impedance Protected
 Weight: 520 g Packing: 40PCS/CTN



SS IP

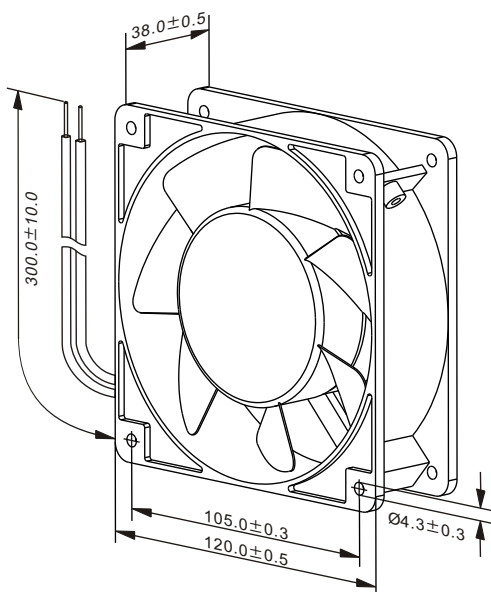
Model Number	Voltage (VAC)	Frequency (Hz)	AirFlow (CFM)	Stat.Pres. (mm-H ₂ O)	Noise (dBA)	Speed (RPM)	Current (mA)	Power (W)	Available Bearing	Curves
FA1238B11T7-97	115	50/60	104.5/109.6	7.6/9.1	43.3/47.3	2,500/2,800	280/230	22/18	B,S	①/②
FA1238B22T7-97	230	50/60	104.5/109.6	7.6/9.1	43.3/47.3	2,500/2,800	160/130	24/20	B,S	①/②

- For "Sleeve" bearing version, change the "B" in the model number to "S".
- For "Wire Lead" version, change the "T" in the model number to "W".

Specifications are subject to change without notice



AC Axial Fans



unit: mm

