

AC AXIAL FAN 159x159x50mm

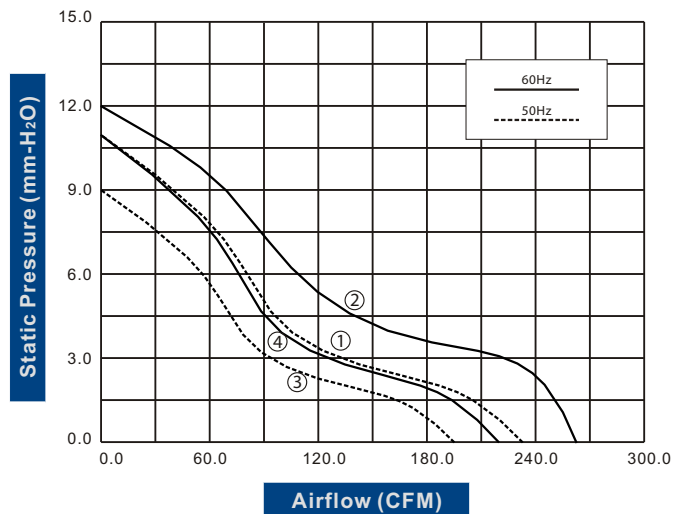
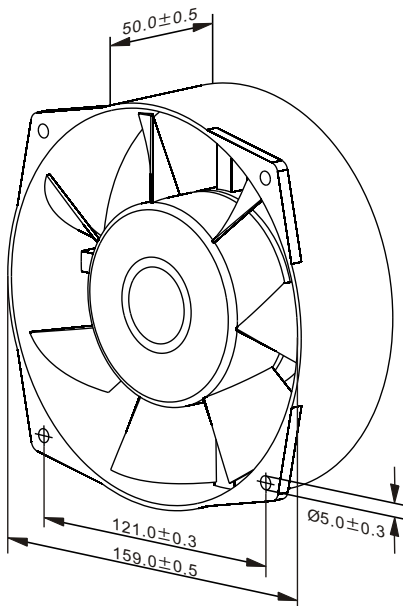


Housing: Die-Cast Aluminum, Painted Black
 Blade: Thermoplastic PBT, UL 94V-0
 Insulation Resistance: 100M Ω , 500VDC/min between bare wire and frame
 Dielectric Strength: 1500VAC for one minute
 Operation Temperature: -10°C~70°C(Humidity 35%-85%RH)
 Storage Temperature: -40°C~85°C(Humidity 35%-85%RH)
 Motor Protection: Impedance Protected
 Weight: 880 g **Packing:** 16PCS/CTN

ES **IP**

Model Number	Voltage (VAC)	Frequency (Hz)	AirFlow (CFM)	Stat.Pres. (mm-H ₂ O)	Noise (dBA)	Speed (RPM)	Current (mA)	Power (W)	Available Bearing	Curves
FA1650B11W7-78	115	50/60	230.0/260.0	10.0/12.0	55.0/59.0	2,800/3,200	200/200	35/45	B	①/②
FA1650B11W5-78	115	50/60	195.0/220.0	9.0/10.0	52.0/56.0	2,600/2,800	200/200	35/45	B	③/④
FA1650B22W7-78	230	50/60	230.0/260.0	10.0/12.0	55.0/59.0	2,800/3,200	150/150	35/45	B	①/②
FA1650B22W5-78	230	50/60	195.0/220.0	9.0/10.0	52.0/56.0	2,600/2,800	150/150	35/45	B	③/④

Specifications are subject to change without notice



unit: mm