

# AC AXIAL FAN

## Ø 254x89mm



Housing: Die-Cast Aluminum, Painted Black  
 Blade: Injection Molded of Flame Retardant Polycarbonate, Black  
 Insulation Resistance: 100MΩ, 500VDC/min between bare wire and frame  
 Dielectric Strength: 1500VAC for one minute  
 Operation Temperature: -20°C-70°C(Humidity 35%-85%RH)  
 Storage Temperature: -40°C-85°C(Humidity 35%-85%RH)  
 Motor Protection: Thermal Protected  
 Weight: 1600 g      Packing: 10PCS/CTN



**ES** **IP**

### ● High Airflow

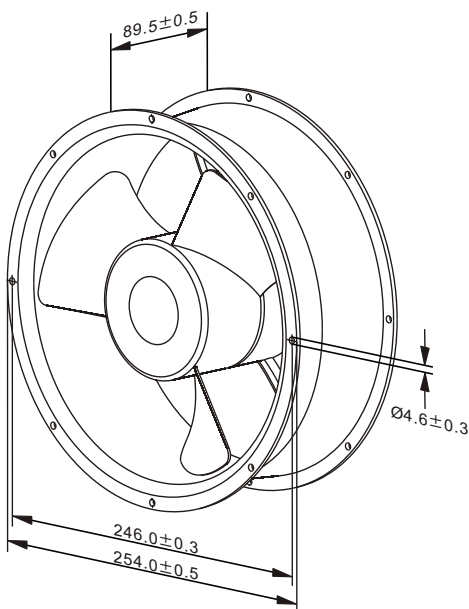
Model Number	Voltage (VAC)	Frequency (Hz)	AirFlow (CFM)	Stat.Pres. (mm-H <sub>2</sub> O)	Noise (dBA)	Speed (RPM)	Current (mA)	Power (W)	Available Bearing	Curves
FA2589B11T7C-52	115	50/60	780.0/834.0	21.8/19.8	68.0/70.0	2,550/2,700	950/1150	97/129	B	①/②
FA2589B22T7C-52	230	50/60	785.0/835.0	21.8/19.8	68.0/70.0	2,600/2,700	550/600	98/130	B	①/②

• For "Wire Lead" version, change the "T" in the model number to "W".

Specifications are subject to change without notice



AC Axial Fans



unit: mm

