

AC AXIAL FAN Ø 254x89mm



ES IP

Housing: Die-Cast Aluminum, Painted Black
 Blade: Injection Molded of Flame Retardant Polycarbonate, Black
 Insulation Resistance: 100M Ω , 500VDC/min between bare wire and frame
 Dielectric Strength: 1500VAC for one minutue
 Operation Temperature: -20°C-70°C(Humidity 35%-85%RH)
 Storage Temperature: -40°C-85°C(Humidity 35%-85%RH)
 Motor Protection: Thermal Protected
 Weight: 1780 g Packing: 10PCS/CTN

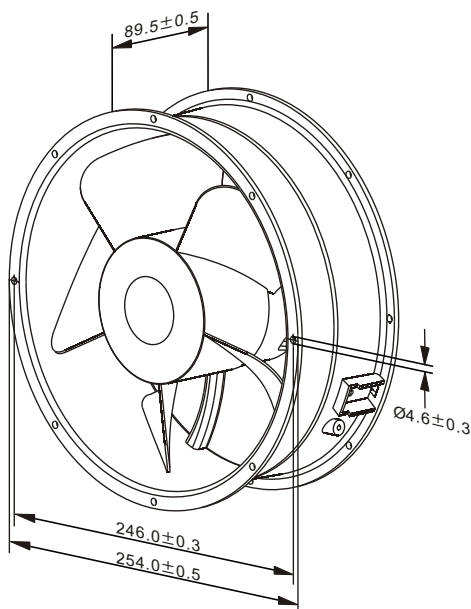
● **High Airflow**

Model Number	Voltage (VAC)	Frequency (Hz)	AirFlow (CFM)	Stat.Pres. (mm-H ₂ O)	Noise (dBA)	Speed (RPM)	Current (mA)	Power (W)	Available Bearing	Curves
FA2589B11W7-78	115	50/60	850.0/930.0	21.0/17.0	78.0/84.0	2,700/3,000	500/600	60/75	B	①/②
FA2589B11W5-78	115	50/60	460.0/550.0	9.0/12.0	52.0/55.0	1,400/1,600	300/400	35/40	B	③/④
FA2589B22W7-78	230	50/60	850.0/930.0	21.0/17.0	78.0/84.0	2,700/3,000	250/300	50/65	B	①/②
FA2589B22W5-78	230	50/60	460.0/550.0	9.0/12.0	52.0/55.0	1,400/1,600	250/300	35/40	B	③/④

Specifications are subject to change without notice



AC Axial Fans



unit: mm

