

# AC AXIAL FAN 92x92x38mm



Housing: Die-Cast Aluminum, Painted Black  
 Blade: Thermoplastic PBT, UL 94V-0  
 Insulation Resistance: 100M $\Omega$ , 500VDC/min between bare wire and frame  
 Dielectric Strength: 1500VAC for one minute  
 Operation Temperature: -20°C-70°C(Humidity 35%-85%RH)  
 Storage Temperature: -40°C-85°C(Humidity 35%-85%RH)  
 Motor Protection: Impedance Protected  
 Weight: 446 g      Packing: 50PCS/CTN

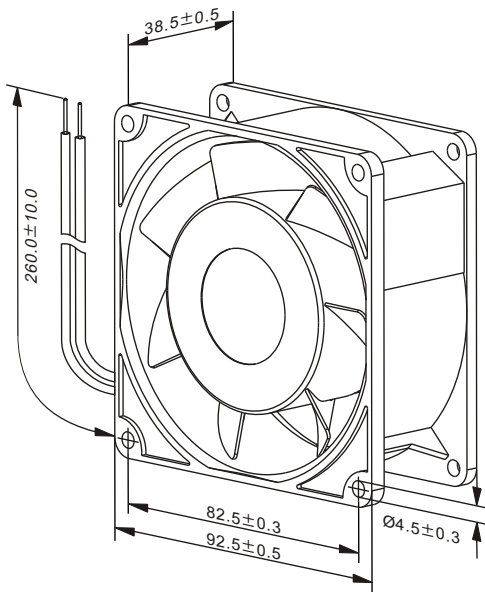


**ES** **IP**

Model Number	Voltage (VAC)	Frequency (Hz)	AirFlow (CFM)	Stat.Pres. (mm-H <sub>2</sub> O)	Noise (dBA)	Speed (RPM)	Current (mA)	Power (W)	Available Bearing	Curves
FA9238B11T7-51	115	50/60	42.0/49.0	5.2/7.1	40.0/45.0	2,800/3,200	190/150	14/11	B,S	①/②
FA9238B22T7-51	230	50/60	42.0/49.0	5.2/7.1	40.0/45.0	2,800/3,200	100/80	15/12	B,S	①/②

- For "Sleeve" bearing version, change the "B" in the model number to "S".
- For "Wire Lead" version, change the "T" in the model number to "W".

Specifications are subject to change without notice



unit: mm

