

DC BLOWER 50x50x15mm



Housing/Blade: Thermoplastic PBT, UL 94V-0
 Insulation Resistance: 10MΩ, 500VDC/min between bare wire and frame
 Dielectric Strength: 5mA max, 500VAC/min between bare wire and frame
 Operation Temperature: -10°C~70°C(Humidity 35%-85%RH)
 Storage Temperature: -40°C~70°C(Humidity 35%-85%RH)
 Lead Wire: UL Type #28 AWG
 Weight: 26 g Packing: 200PCS/CTN



SS IP SF

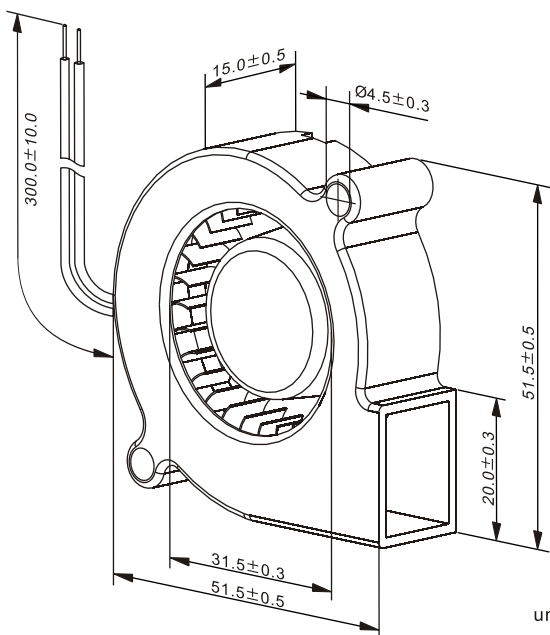


DC Blowers

Model Number	Voltage (VDC)	Op. Voltage (VDC)	Air Flow (CFM)	Static Pres. (mm-H ₂ O)	Noise (dBA)	Speed (RPM)	Current (mA)	Power (W)	Available Bearing	Curves
FBD5015B05W3-61	▲ 5	3.5~5.75	2.40	3.60	25.60	3,000	120	0.60	B,S	①
FBD5015B05W5-61	▲ 5	3.5~5.75	3.50	7.50	34.50	4,000	200	1.00	B,S	③
FBD5015B05W7-61	★▲ 5	3.5~5.75	3.90	11.50	36.40	4,500	310	1.55	B,S	④
FBD5015B12W3-61	▲ 12	8.0~13.8	2.40	3.60	25.60	3,000	50	0.60	B,S	①
FBD5015B12W5-61	▲ 12	6.0~13.8	3.50	7.50	34.50	4,000	80	0.96	B,S	③
FBD5015B12W7-61	★▲ 12	6.0~13.8	4.50	11.70	40.40	5,000	130	1.56	B,S	⑤
FBD5015B24W3-61	▲ 24	12.0~27.6	2.90	7.40	29.60	3,500	40	0.96	B,S	②
FBD5015B24W5-61	▲ 24	12.0~27.6	3.50	7.50	34.50	4,000	50	1.20	B,S	③
FBD5015B24W7-61	★▲ 24	12.0~27.6	4.50	11.70	40.40	5,000	100	2.40	B,S	⑤

- For "Sleeve" bearing version, change the "B" in the model number to, "S".
- If model depicts "★", auto restart protection function built in.
- If model depicts "▲", polarity protection function built in.

Specifications are subject to change without notice



unit: mm

