

DC BLOWER 75x77x30mm



Housing/Blade: Thermoplastic PBT, UL 94V-0
 Insulation Resistance: 10MΩ, 500VDC/min between bare wire and frame
 Dielectric Strength: 5mA max. 500VAC/min between bare wire and frame
 Operation Temperature: -10°C~70°C(Humidity 35%-85%RH)
 Storage Temperature: -40°C~70°C(Humidity 35%-85%RH)
 Lead Wire: UL Type #24 AWG
 Weight: 87 g Packing: 100PCS/CTN



SS

IP

SF

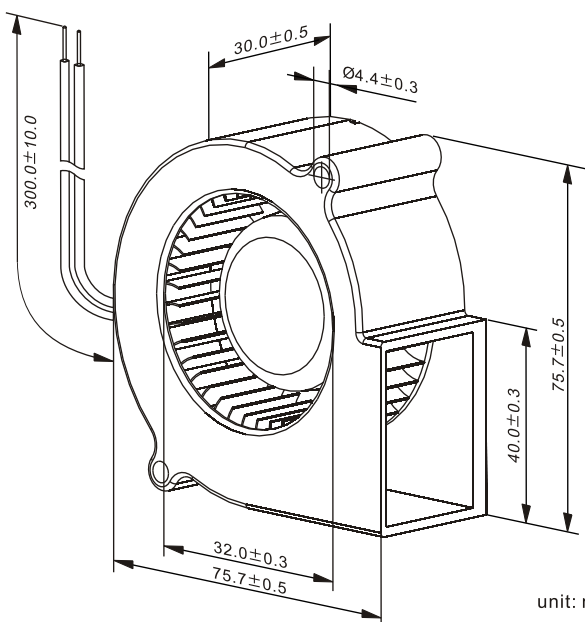


DC Blowers

Model Number	Voltage (VDC)	Op.Voltage (VDC)	AirFlow (CFM)	StaticPres. (mm-H ₂ O)	Noise (dBA)	Speed (RPM)	Current (mA)	Power (W)	Available Bearing	Curves
FBD7530B12W3-61	▲ 12	6.0~13.8	7.30	4.00	25.60	2,000	90	1.08	B,S	①
FBD7530B12W5-61	▲ 12	6.0~13.8	9.40	7.10	32.50	2,500	170	2.04	B,S	②
FBD7530B12W7-61	★▲ 12	6.0~13.8	11.30	11.20	37.40	3,000	250	3.00	B,S	③
FBD7530B12W9-61	★▲ 12	6.0~13.8	13.30	16.10	42.40	3,500	320	3.84	B,S	④
FBD7530B12W11-61	★▲ 12	6.0~13.8	14.30	19.70	44.30	3,800	460	5.52	B,S	⑤
FBD7530B24W3-61	▲ 24	12.0~27.6	7.30	4.00	25.60	2,000	80	1.92	B,S	①
FBD7530B24W5-61	▲ 24	12.0~27.6	9.40	7.10	32.50	2,500	100	2.40	B,S	②
FBD7530B24W7-61	★▲ 24	12.0~27.6	11.30	11.20	37.40	3,000	130	3.12	B,S	③
FBD7530B24W9-61	★▲ 24	12.0~27.6	13.30	16.10	42.40	3,500	150	3.60	B,S	④
FBD7530B24W11-61	★▲ 24	12.0~27.6	14.30	19.70	44.30	3,800	230	5.52	B,S	⑤

- For "Sleeve" bearing version, change the "B" in the model number to, "S".
- If model depicts "★", auto restart protection function built in.
- If model depicts "▲", polarity protection function built in.

Specifications are subject to change without notice



unit: mm

