

DC AXIAL FAN 120x120x25mm



Housing/Blade: Thermoplastic PBT, UL 94V-0
 Insulation Resistance: 10MΩ, 500VDC/min between bare wire and frame
 Dielectric Strength: 5mA max, 500VAC/min between bare wire and frame
 Operation Temperature: -10°C~70°C(Humidity 35%-85%RH)
 Storage Temperature: -40°C~70°C(Humidity 35%-85%RH)
 Lead Wire: UL Type #24 AWG
 Weight: 164 g Packing: 60PCS/CTN



SS

IP

SF

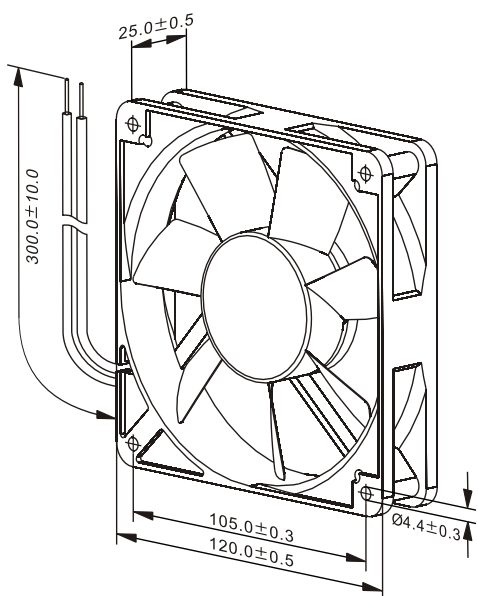


DC Axial Fans

Model Number	Voltage (VDC)	Op.Voltage (VDC)	Air Flow (CFM)	Static Pres. (mm-H ₂ O)	Noise (dBA)	Speed (RPM)	Current (mA)	Power (W)	Available Bearing	Curves
FD1225B12W2-61	▲ 12	6.0~13.8	66.10	2.60	33.50	1,700	180	2.16	B,S	①
FD1225B12W3-61	★▲ 12	6.0~13.8	78.10	3.60	37.40	2,000	230	2.76	B,S	②
FD1225B12W5-61	★▲ 12	6.0~13.8	93.00	4.90	43.30	2,400	340	4.08	B,S	③
FD1225B24W2-61	▲ 24	12.0~27.6	66.10	2.60	33.50	1,700	110	2.64	B,S	①
FD1225B24W3-61	★▲ 24	12.0~27.6	78.10	3.60	37.40	2,000	170	4.08	B,S	②
FD1225B24W5-61	★▲ 24	12.0~27.6	93.00	4.90	43.30	2,400	280	6.72	B,S	③

- For "Sleeve" bearing version, change the "B" in the model number to "S".
- If model depicts "★", auto restart protection function built in.
- If model depicts "▲", polarity protection function built in.

Specifications are subject to change without notice



unit: mm

