

DC AXIAL FAN

Ø 172x51mm

(Metal Housing)



Housing: Die-cast Aluminum
 Blade: Thermoplastic PBT, UL 94V-2
 Insulation Resistance: 10MΩ, 500VDC/min between bare wire and frame
 Dielectric Strength: 5mA max. 500VAC/min between bare wire and frame
 Operation Temperature: -10°C~70°C(Humidity 35%-85%RH)
 Storage Temperature: -40°C~70°C(Humidity 35%-85%RH)
 Lead Wire: UL Type #22 AWG
 Weight: 830 g Packing: 20PCS/CTN



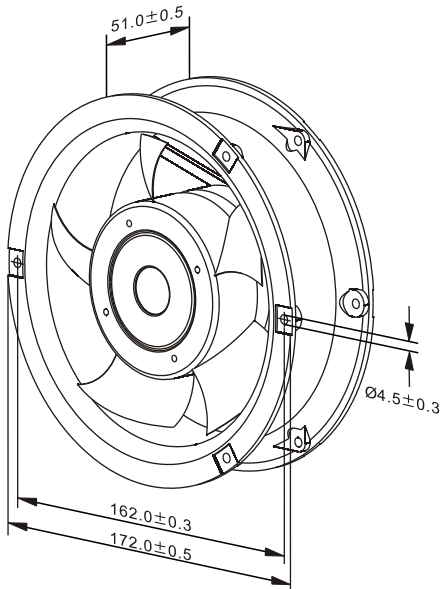
SS **IP** **SF**

DC Axial Fans

Model Number		Voltage (VDC)	Op.Voltage (VDC)	Air Flow (CFM)	Static Pres. (mm-H ₂ O)	Noise (dBA)	Speed (RPM)	Current (mA)	Power (W)	Available Bearing	Curves
FD1751B12W1-65	★▲	12	9.0~13.8	215.00	20.10	53.20	3,100	1,300	15.60	B	①
FD1751B12W3-65	★▲	12	9.0~13.8	238.50	24.80	55.20	3,400	1,800	21.60	B	②
FD1751B12W5-65	★▲	12	9.0~13.8	271.70	30.70	58.10	3,800	2,600	31.20	B	③
FD1751B24W1-65	★▲	24	15.0~27.6	215.00	20.10	53.20	3,100	500	12.00	B	①
FD1751B24W3-65	★▲	24	15.0~27.6	238.50	24.80	55.20	3,400	700	16.80	B	②
FD1751B24W5-65	★▲	24	15.0~27.6	271.70	30.70	58.10	3,800	1,200	28.80	B	③
FD1751B24W7-65	★▲	24	15.0~27.6	289.30	35.30	60.10	4,000	1,400	33.60	B	④
FD1751B24W9-65	★▲	24	15.0~27.6	321.70	42.80	62.10	4,500	2,000	48.00	B	⑤
FD1751B48W1-65	★▲	48	24.0~55.2	215.00	20.10	53.20	3,100	300	14.40	B	①
FD1751B48W3-65	★▲	48	24.0~55.2	238.50	24.80	55.20	3,400	380	18.24	B	②
FD1751B48W5-65	★▲	48	24.0~55.2	271.70	30.70	58.10	3,800	500	24.00	B	③
FD1751B48W7-65	★▲	48	24.0~55.2	289.30	35.30	60.10	4,000	700	33.60	B	④
FD1751B48W9-65	★▲	48	24.0~55.2	321.70	42.80	62.10	4,500	900	43.20	B	⑤

- If model depicts "★", auto restart protection function built in.
- If model depicts "▲", polarity protection function built in.

Specifications are subject to change without notice



unit: mm

