

DC AXIAL FAN 25x25x10mm



Housing/Blade: Thermoplastic PBT, UL 94V-0
Insulation Resistance: 10MΩ, 500VDC/min between bare wire and frame
Dielectric Strength: 5mA max. 500VAC/min between bare wire and frame
Operation Temperature: -10°C~70°C(Humidity 35%-85%RH)
Storage Temperature: -40°C~70°C(Humidity 35%-85%RH)
Lead Wire: UL Type #28 AWG
Weight: 6 g **Packing:** 400PCS/CTN



SS SF

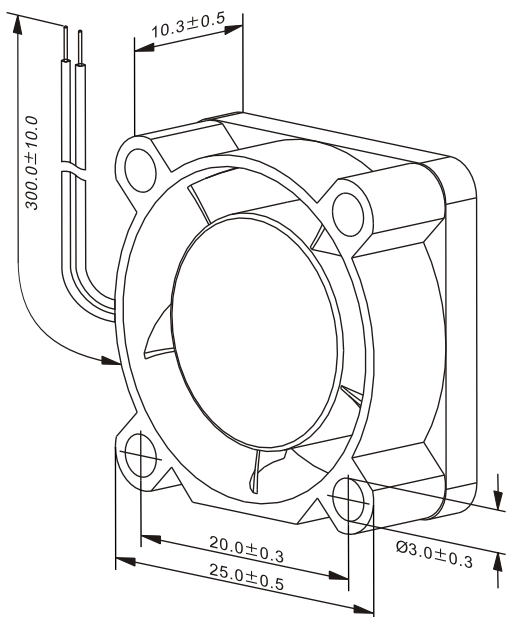


DC Axial Fans

Model Number	Voltage (VDC)	Op. Voltage (VDC)	Air Flow (CFM)	Static Pres. (mm-H ₂ O)	Noise (dBA)	Speed (RPM)	Current (mA)	Power (W)	Available Bearing	Curves
FD2510B05W3-71	5	4.0~5.5	1.70	2.20	19.90	7,000	100	0.50	B,S	①
FD2510B05W7-71	5	4.0~5.5	1.90	4.50	24.70	10,000	160	0.80	B,S	②
FD2510B05W9-71	5	4.0~5.5	3.10	7.70	33.00	13,000	200	1.00	B,S	③
FD2510B12W3-71	12	10.8~13.2	1.70	2.20	19.90	7,000	60	0.72	B,S	①
FD2510B12W7-71	12	10.8~13.2	1.90	4.50	24.70	10,000	70	0.84	B,S	②
FD2510B12W9-71	12	10.8~13.2	3.10	7.70	33.00	13,000	130	1.56	B,S	③

• For "Sleeve" bearing version, change the "B" in the model number to "S".

Specifications are subject to change without notice



unit: mm

