

DC AXIAL FAN 40x40x10mm



Housing/Blade: Thermoplastic PBT, UL 94V-0
 Insulation Resistance: 10M Ω , 500VDC/min between bare wire and frame
 Dielectric Strength: 5mA max. 500VAC/min between bare wire and frame
 Operation Temperature: -10 $^{\circ}$ C~70 $^{\circ}$ C(Humidity 35%-85%RH)
 Storage Temperature: -40 $^{\circ}$ C~70 $^{\circ}$ C(Humidity 35%-85%RH)
 Lead Wire: UL Type #26 AWG
 Weight: 13 g Packing: 400PCS/CTN



SS

SF

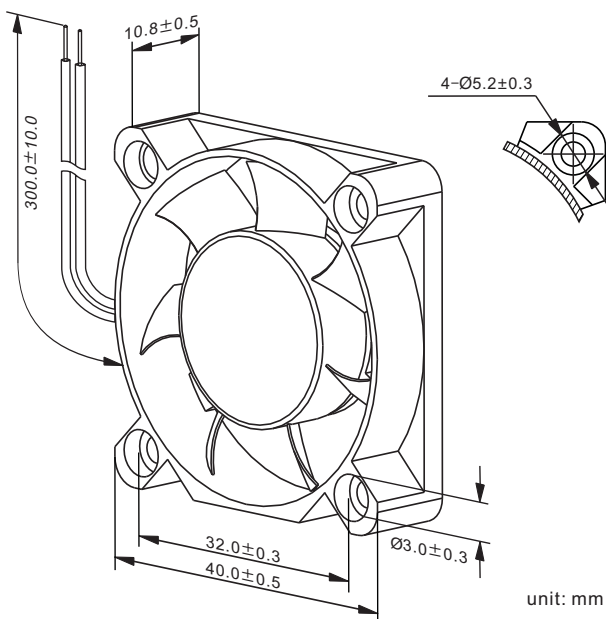


DC Axial Fans

Model Number	Voltage (VDC)	Op. Voltage (VDC)	Air Flow (CFM)	Static Pres. (mm-H ₂ O)	Noise (dBA)	Speed (RPM)	Current (mA)	Power (W)	Available Bearing	Curves
FD4010B05W3-71	5	4.0~5.5	4.50	2.40	20.80	4,200	80	0.40	B,L,S	①
FD4010B05W5-71	5	4.0~5.5	5.70	2.40	24.50	5,400	120	0.60	B,L,S	②
FD4010B05W7-71	5	4.0~5.5	6.50	3.40	25.90	6,000	160	0.80	B,L,S	③
FD4010B12W3-71	12	10.8~13.2	4.50	2.40	20.80	4,200	50	0.60	B,L,S	①
FD4010B12W5-71	12	10.8~13.2	5.70	2.40	24.50	5,400	60	0.72	B,L,S	②
FD4010B12W7-71	12	10.8~13.2	6.50	3.40	25.90	6,000	70	0.84	B,L,S	③
FD4010B24W3-71	24	17.0~28.0	4.50	2.40	20.80	4,200	50	1.20	B,L,S	①
FD4010B24W5-71	24	17.0~28.0	5.70	2.40	24.50	5,400	60	1.44	B,L,S	②
FD4010B24W7-71	24	17.0~28.0	6.50	3.40	25.90	6,000	70	1.68	B,L,S	③

• For "Long Life", or "Sleeve" bearing versions, change the "B" in the model number to "L", or "S" respectively.

Specifications are subject to change without notice



unit: mm

