

DC AXIAL FAN 40x40x10mm



Housing/Blade: Thermoplastic PBT, UL 94V-0
 Insulation Resistance: 10MΩ, 500VDC/min between bare wire and frame
 Dielectric Strength: 5mA max. 500VAC/min between bare wire and frame
 Operation Temperature: -20°C~70°C(Humidity 15%-90%RH)
 Storage Temperature: -40°C~85°C(Humidity 15%-90%RH)
 Lead Wire: UL Type #28 AWG
 Weight: 17 g Packing: 400PCS/CTN

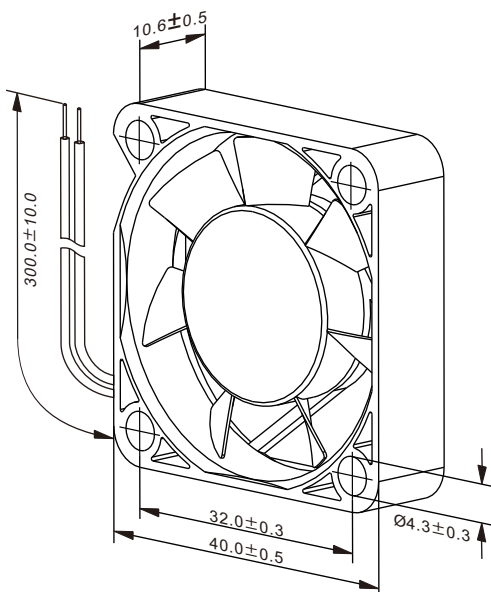


DC Axial Fans

Model Number		Voltage (VDC)	Op.Voltage (VDC)	Air Flow (CFM)	Static Pres. (mm-H ₂ O)	Noise (dBA)	Speed (RPM)	Current (mA)	Power (W)	Available Bearing	Curves
FD4010B05W3-84	★	5	4.0~5.75	7.70	4.40	28.10	6,400	80	0.40	B	①
FD4010B05W5-84	★	5	4.0~5.75	9.30	6.10	32.50	7,500	130	0.65	B	②
FD4010B05W7-84	★	5	4.0~5.75	10.20	7.30	35.00	8,300	160	0.80	B	③
FD4010B12W3-84	★▲	12	6.0~13.8	7.70	4.40	28.10	6,400	60	0.72	B	①
FD4010B12W5-84	★▲	12	6.0~13.8	9.30	6.10	32.50	7,500	70	0.84	B	②
FD4010B12W7-84	★▲	12	6.0~13.8	10.20	7.30	35.00	8,300	100	1.20	B	③

- For "Fluid Lubricant" bearing version, change the "B" in the model number to "F".
- If model depicts "★", auto restart protection function built in.
- If model depicts "▲", polarity protection function built in.

Specifications are subject to change without notice



unit: mm

