

DC AXIAL FAN 50x50x10mm



Housing/Blade: Thermoplastic PBT, UL 94V-0
 Insulation Resistance: 10MΩ, 500VDC/min between bare wire and frame
 Dielectric Strength: 5mA max. 500VAC/min between bare wire and frame
 Operation Temperature: -10°C~70°C(Humidity 35%-85%RH)
 Storage Temperature: -40°C~70°C(Humidity 35%-85%RH)
 Lead Wire: UL Type #26 AWG
 Weight: 16 g Packing: 400PCS/CTN



SS

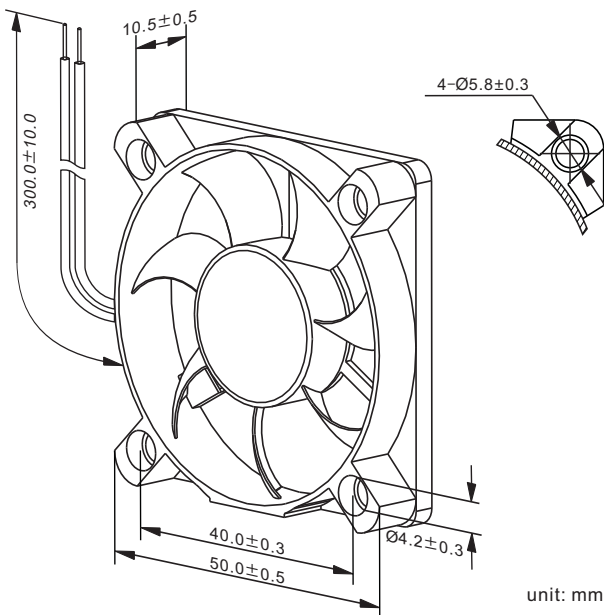
SF

DC Axial Fans

Model Number	Voltage (VDC)	Op.Voltage (VDC)	AirFlow (CFM)	StaticPres. (mm-H ₂ O)	Noise (dBA)	Speed (RPM)	Current (mA)	Power (W)	Available Bearing	Curves
FD5010B05W3-71	5	4.0~5.5	7.40	1.80	20.50	3,500	120	0.60	B,L,S	①
FD5010B05W5-71	5	4.0~5.5	9.60	2.30	25.70	4,500	180	0.90	B,L,S	②
FD5010B05W7-71	5	4.0~5.5	11.20	2.70	29.70	5,300	220	1.10	B,L,S	③
FD5010B12W3-71	12	10.8~13.2	7.40	1.80	20.50	3,500	60	0.72	B,L,S	①
FD5010B12W5-71	12	10.8~13.2	9.60	2.30	25.70	4,500	70	0.84	B,L,S	②
FD5010B12W7-71	12	10.8~13.2	11.20	2.70	29.70	5,300	130	1.56	B,L,S	③

• For "Long Life", or "Sleeve" bearing versions, change the "B" in the model number to "L", or "S" respectively.

Specifications are subject to change without notice



unit: mm

