

DC AXIAL FAN 50x50x15mm



Housing/Blade: Thermoplastic PBT, UL 94V-0
 Insulation Resistance: 10MΩ, 500VDC/min between bare wire and frame
 Dielectric Strength: 5mA max. 500VAC/min between bare wire and frame
 Operation Temperature: -10°C~70°C(Humidity 35%-85%RH)
 Storage Temperature: -40°C~70°C(Humidity 35%-85%RH)
 Lead Wire: UL Type #26 AWG
 Weight: 27 g Packing: 200PCS/CTN



SS

SF

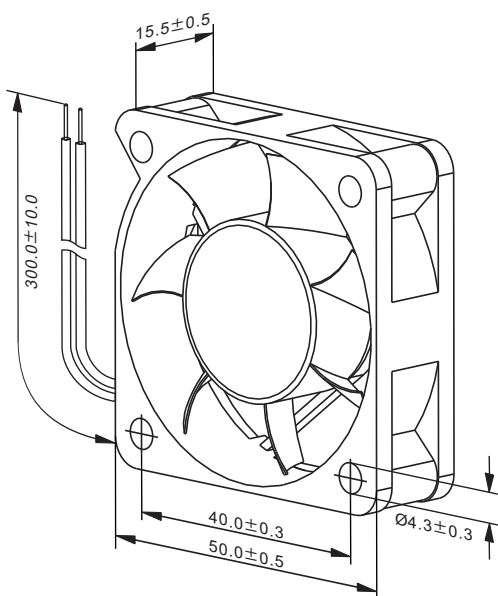


DC Axial Fans

Model Number	Voltage (VDC)	Op.Voltage (VDC)	Air Flow (CFM)	Static Pres. (mm-H ₂ O)	Noise (dBA)	Speed (RPM)	Current (mA)	Power (W)	Available Bearing	Curves
FD5015B05W5-71	5	4.0~5.5	5.00	0.60	18.50	2,000	120	0.60	B,L,S	①
FD5015B05W7-71	5	4.0~5.5	5.90	1.00	19.50	2,500	180	0.90	B,L,S	②
FD5015B05W9-71	5	4.0~5.5	7.70	1.40	21.80	3,000	220	1.10	B,L,S	③
FD5015B12W5-71	12	10.8~13.2	7.70	1.40	21.80	3,000	100	1.20	B,L,S	③
FD5015B12W7-71	12	10.8~13.2	8.40	1.70	25.00	3,500	120	1.44	B,L,S	④
FD5015B12W9-71	12	10.8~13.2	8.90	2.00	28.40	4,000	120	1.44	B,L,S	⑤

• For "Long Life", or "Sleeve" bearing versions, change the "B" in the model number to "L", or "S" respectively.

Specifications are subject to change without notice



unit: mm

