

DC AXIAL FAN 60x60x10mm



Housing/Blade: Thermoplastic PBT, UL 94V-0
 Insulation Resistance: 10MΩ, 500VDC/min between bare wire and frame
 Dielectric Strength: 5mA max. 500VAC/min between bare wire and frame
 Operation Temperature: -10°C~70°C(Humidity 35%-85%RH)
 Storage Temperature: -40°C~70°C(Humidity 35%-85%RH)
 Lead Wire: UL Type #26 AWG
 Weight: 24 g Packing: 300PCS/CTN



SS

SF

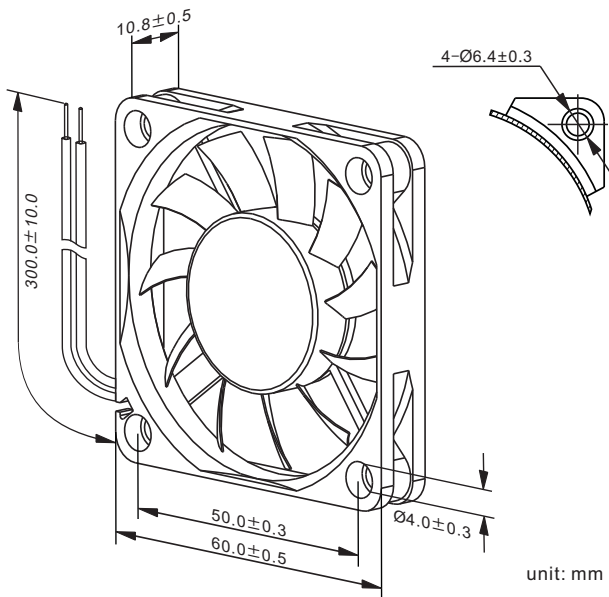


DC Axial Fans

| Model Number | Voltage (VDC) | Op.Voltage (VDC) | AirFlow (CFM) | StaticPres. (mm-H ₂ O) | Noise (dBA) | Speed (RPM) | Current (mA) | Power (W) | Available Bearing | Curves |
|----------------|---------------|------------------|---------------|-----------------------------------|-------------|-------------|--------------|-----------|-------------------|--------|
| FD6010B12W2-71 | 12 | 10.8~13.2 | 14.60 | 2.00 | 26.80 | 3,500 | 130 | 1.56 | B,L,S | ① |
| FD6010B12W3-71 | 12 | 10.8~13.2 | 18.00 | 2.90 | 31.20 | 4,200 | 170 | 2.04 | B,L,S | ② |
| FD6010B12W5-71 | 12 | 10.8~13.2 | 21.80 | 4.00 | 35.50 | 5,000 | 230 | 2.76 | B,L,S | ③ |

- For "Long Life", or "Sleeve" bearing versions, change the "B" in the model number to "L", or "S" respectively.

Specifications are subject to change without notice



unit: mm

