

# DC AXIAL FAN 60x60x20mm



Housing/Blade: Thermoplastic PBT, UL 94V-0  
 Insulation Resistance: 10MΩ, 500VDC/min between bare wire and frame  
 Dielectric Strength: 5mA max, 500VAC/min between bare wire and frame  
 Operation Temperature: -10°C~70°C(Humidity 35%-85%RH)  
 Storage Temperature: -40°C~70°C(Humidity 35%-85%RH)  
 Lead Wire: UL Type #26 AWG  
 Weight: 44 g      **Packing:** 200PCS/CTN



SS

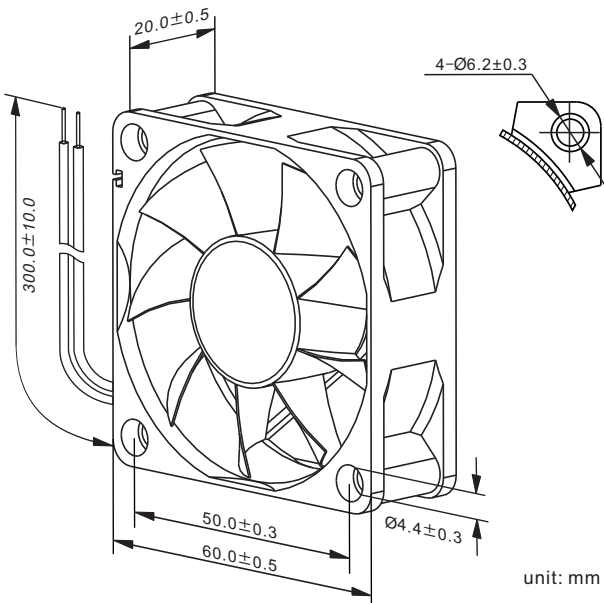
SF

DC Axial Fans

Model Number	Voltage (VDC)	Op.Voltage (VDC)	AirFlow (CFM)	StaticPres. (mm-H <sub>2</sub> O)	Noise (dBA)	Speed (RPM)	Current (mA)	Power (W)	Available Bearing	Curves
FD6020B12W2-71	12	10.8~13.2	12.50	1.50	19.70	2,500	80	0.96	B,L,S	①
FD6020B12W3-71	12	10.8~13.2	16.70	2.50	23.50	3,300	120	1.44	B,L,S	②
FD6020B12W5-71	12	10.8~13.2	20.60	3.70	28.60	4,000	170	2.04	B,L,S	③

- For "Long Life", or "Sleeve" bearing versions, change the "B" in the model number to "L", or "S" respectively.

Specifications are subject to change without notice



unit: mm

