

# DC AXIAL FAN 60x60x25mm



Housing/Blade: Thermoplastic PBT, UL 94V-0  
 Insulation Resistance: 10MΩ, 500VDC/min between bare wire and frame  
 Dielectric Strength: 5mA max. 500VAC/min between bare wire and frame  
 Operation Temperature: -20°C~70°C(Humidity 15%-90%RH)  
 Storage Temperature: -40°C~85°C(Humidity 15%-90%RH)  
 Lead Wire: UL Type #24 AWG  
 Weight: 85 g Packing: 200PCS/CTN



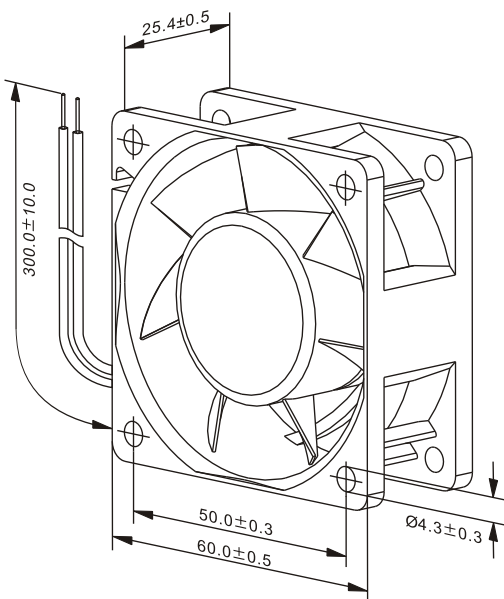
**ES** **IP** **SF**

- High Airflow
- Extremely High Static Pressure

Model Number		Voltage (VDC)	Op.Voltage (VDC)	Air Flow (CFM)	Static Pres. (mm-H <sub>2</sub> O)	Noise (dBA)	Speed (RPM)	Current (mA)	Power (W)	Available Bearing	Curves
FD6025B12W3-85	★▲	12	6.0~13.8	30.10	13.20	40.90	5,800	210	2.52	B	①
FD6025B12W5-85	★▲	12	6.0~13.8	36.00	18.20	45.30	7,000	320	3.84	B	②
FD6025B12W7-85	★▲	12	6.0~13.8	43.40	24.90	49.70	8,000	480	5.76	B	③
FD6025B24W3-85	★▲	24	16.0~27.6	30.10	13.20	40.90	5,800	110	2.64	B	①
FD6025B24W5-85	★▲	24	16.0~27.6	36.00	18.20	44.80	7,000	160	3.84	B	②
FD6025B24W7-85	★▲	24	16.0~27.6	43.40	24.90	49.70	8,000	220	5.28	B	③
FD6025B48W3-85	★▲	48	30.0~55.2	30.10	13.20	40.90	5,800	60	2.88	B	①
FD6025B48W5-85	★▲	48	30.0~55.2	36.00	18.20	44.80	7,000	100	4.80	B	②
FD6025B48W7-85	★▲	48	30.0~55.2	43.40	24.90	49.70	8,000	140	6.72	B	③

- If model depicts "★", auto restart protection function built in.
- If model depicts "▲", polarity protection function built in.

Specifications are subject to change without notice



unit: mm

