

DC AXIAL FAN 80x80x25mm



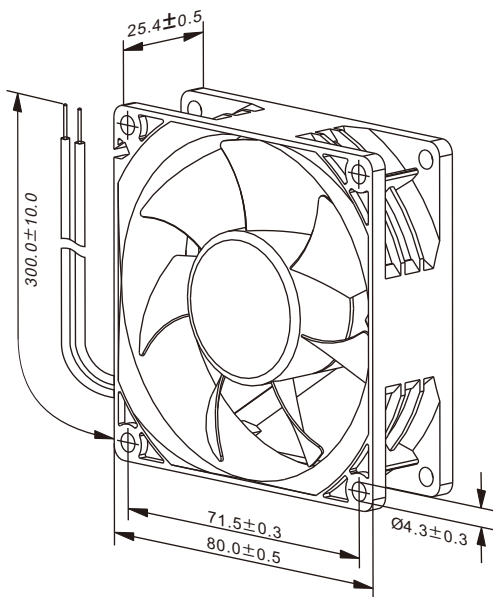
Housing/Blade: Thermoplastic PBT, UL 94V-0
Insulation Resistance: 10MΩ, 500VDC/min between bare wire and frame
Dielectric Strength: 5mA max. 500VAC/min between bare wire and frame
Operation Temperature: -20°C~70°C(Humidity 15%-90%RH)
Storage Temperature: -40°C~85°C(Humidity 15%-90%RH)
Lead Wire: UL Type #24 AWG
Weight: 78 g **Packing:** 100PCS/CTN



Model Number	Voltage (VDC)	Op.Voltage (VDC)	AirFlow (CFM)	StaticPres. (mm-H ₂ O)	Noise (dBA)	Speed (RPM)	Current (mA)	Power (W)	Available Bearing	Curves
FD8025B12W3-83	12	6.0~13.8	33.40	2.80	26.10	2,500	80	0.96	B	①
FD8025B12W5-83	12	6.0~13.8	40.60	3.90	32.00	3,000	110	1.32	B	②
FD8025B12W7-83	12	6.0~13.8	45.30	4.70	34.50	3,400	170	2.04	B	③
FD8025B24W3-83	24	12.0~27.6	33.40	2.80	26.10	2,500	50	1.20	B	①
FD8025B24W5-83	24	12.0~27.6	40.60	3.90	32.00	3,000	70	1.68	B	②
FD8025B24W7-83	24	12.0~27.6	45.30	4.70	34.50	3,400	80	1.92	B	③

• For "Fluid Lubricant " bearing version, change the "B" in the model number to "F".

Specifications are subject to change without notice



unit: mm

