

# DC AXIAL FAN 92x92x25mm



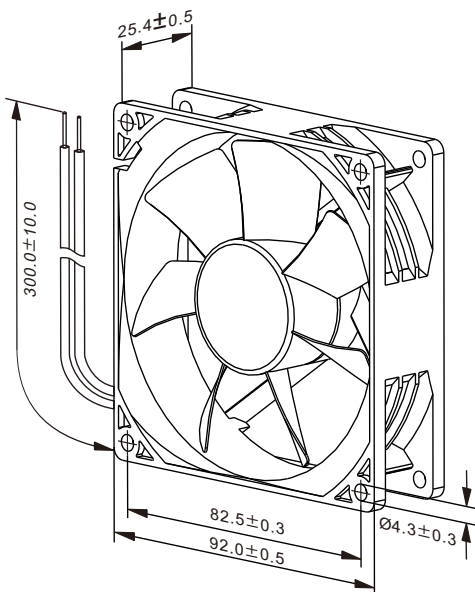
Housing/Blade: Thermoplastic PBT, UL 94V-0  
 Insulation Resistance: 10MΩ, 500VDC/min between bare wire and frame  
 Dielectric Strength: 5mA max, 500VAC/min between bare wire and frame  
 Operation Temperature: -20°C~70°C(Humidity 15%-90%RH)  
 Storage Temperature: -40°C~85°C(Humidity 15%-90%RH)  
 Lead Wire: UL Type #24 AWG  
 Weight: 88 g      Packing: 100PCS/CTN



Model Number		Voltage (VDC)	Op. Voltage (VDC)	Air Flow (CFM)	Static Pres. (mm-H <sub>2</sub> O)	Noise (dBA)	Speed (RPM)	Current (mA)	Power (W)	Available Bearing	Curves
FD9225B12W3-83	★	12	6.0~13.8	49.10	2.50	28.60	2,100	90	1.08	B	①
FD9225B12W5-83	★	12	6.0~13.8	55.90	3.30	32.00	2,400	140	1.68	B	②
FD9225B12W7-83	★	12	6.0~13.8	63.90	4.00	36.00	2,800	190	2.28	B	③
FD9225B24W3-83	★	24	12.0~27.6	49.10	2.50	28.60	2,100	50	1.20	B	①
FD9225B24W5-83	★	24	12.0~27.6	55.90	3.30	32.00	2,400	80	1.92	B	②
FD9225B24W7-83	★	24	12.0~27.6	63.90	4.00	36.00	2,800	100	2.40	B	③

- For "Fluid Lubricant " bearing version, change the "B" in the model number to "F".
- If model depicts "★", auto restart protection function built in.

Specifications are subject to change without notice



unit: mm

