

**DC Motorized Impeller
Backward Curved
Ø225x90mm**

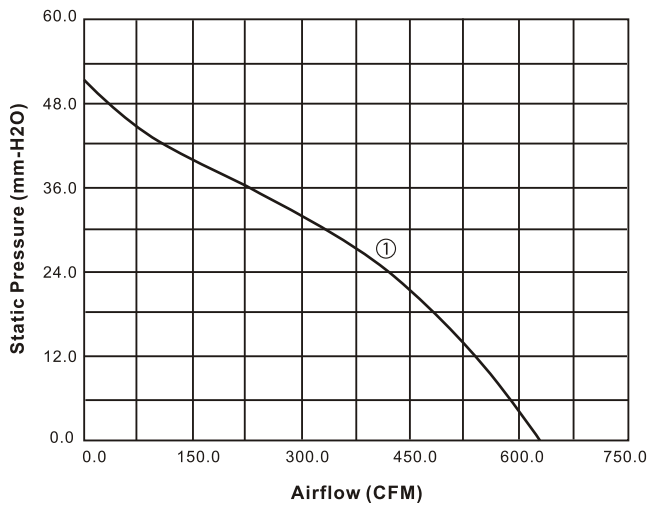


Impeller:	Plastic PA6.6+GF
Motor:	DC Brushless External Rotor Motor
Rotor:	Original Aluminum Sheet Color
Bearing:	Dual Ball Bearing
Insulation:	Class "A" or "B"
Technical Features:	PWM Speed Control; Alarm Output; Locked Rotor Protection; Soft Start.
Operating Temp.:	-20°C to +60°C
Weight:	1510 g

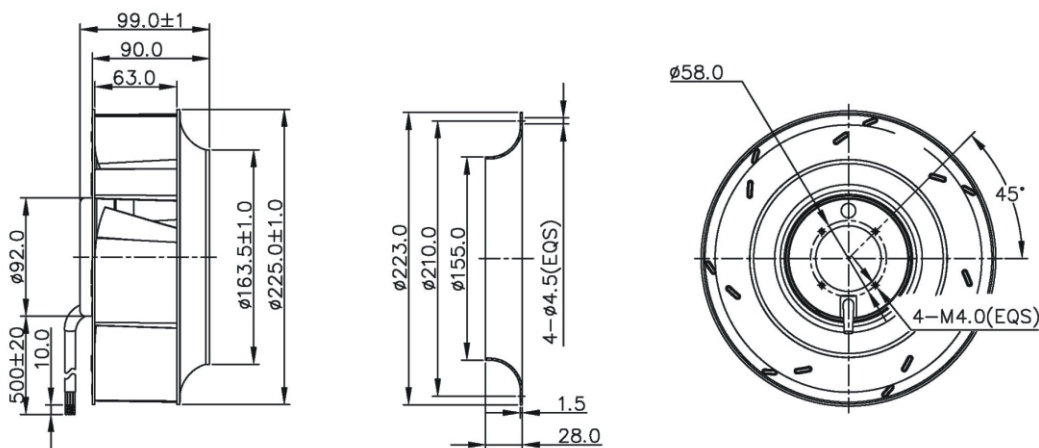
Model Number	Voltage (VDC)	Op.Voltage (VDC)	AirFlow (CFM)	AirFlow (m ³ /H)	StaticPres. (mm-H ₂ O)	StaticPres. (inH ₂ O)	Noise (dBA)	Speed (RPM)	Current (A)	Power (W)	Curves
FDI22590B24W7-57	24	16.0~28.0	620.20	1053.70	51.60	2.00	67.70	2,500	4.5	108.00	①
FDI22590B48W7-57	48	36.0~56.0	620.20	1053.70	51.60	2.00	67.70	2,500	2.3	110.40	①

Specifications are subject to change without notice

Characteristic Curves:



Outline Drawing:



Inlet Ring

Unit:mm