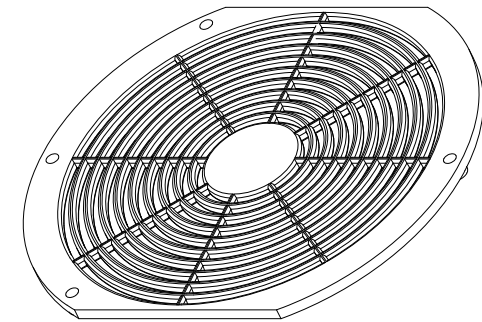
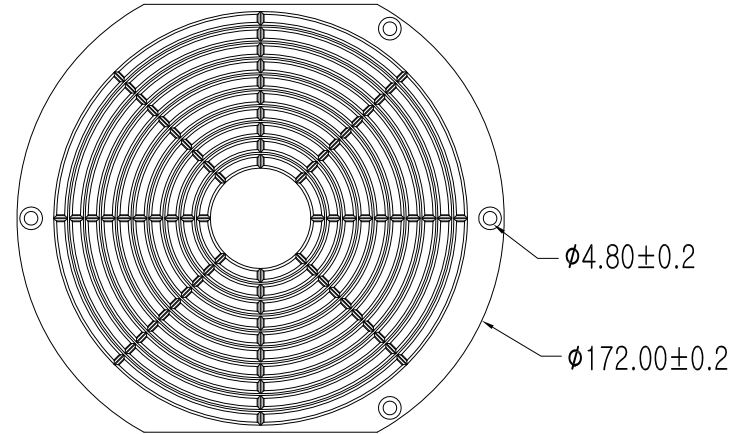
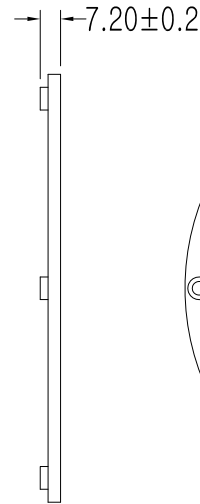
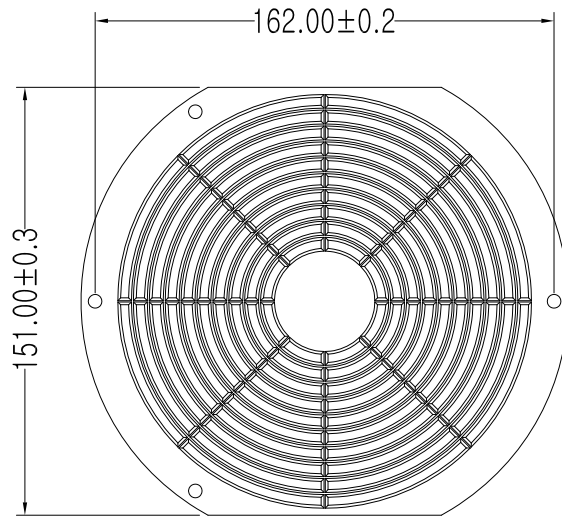


REVISED RECORD				
REV NO.	CONTENT	CHG BY	DATE	APPROVED BY
A0.		Gavin	2014/01/18	



Fits for Fan Size:

172*150*38mm 172*150*51mm

Specifications:

- *Materials: PP RoHs , UL rated 94V-0.
- *Ring spacing comply with safety agency Regulations.
- *Flat with Thru-hole style.
- *No Burr, Flash, Bruising, Scratches.
- *Product not deformation.

Product dimension Gen. Tol. : ±0.05		Control Dimensions		X.XXX For QC Check	
DWG REV	UNLESS OTHERWISE SPECIFIED TOLERANCES	COOLTRON INDUSTRIAL SUPPLY, INC.			
DATE	X.XXX/FL ± 0.127 X.XX ± 0.254 X.X ± 0.5	UNITS			
		MM			
A0	2014/01/18	DRAWN	Gavin	DATE	2014/01/18
A1		CHECKED		DATE	
A2		APPROVED		DATE	
A3		THIRD ANGLE		PROJECT	
			TITLE:		
			Drawing Number:		FGP-162A-1
			Process:		
			SCALE		1:1
			SHT OF		1 total of one page
					The first page