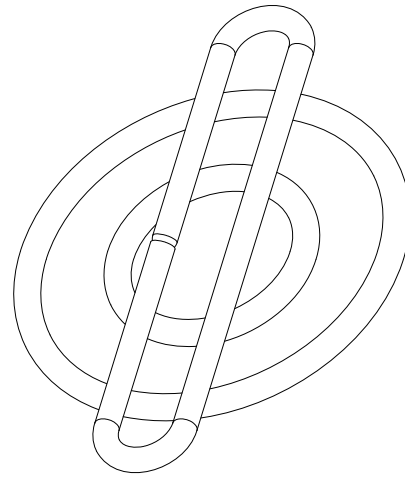
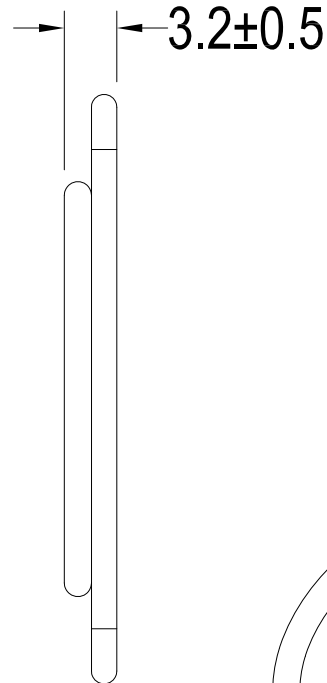
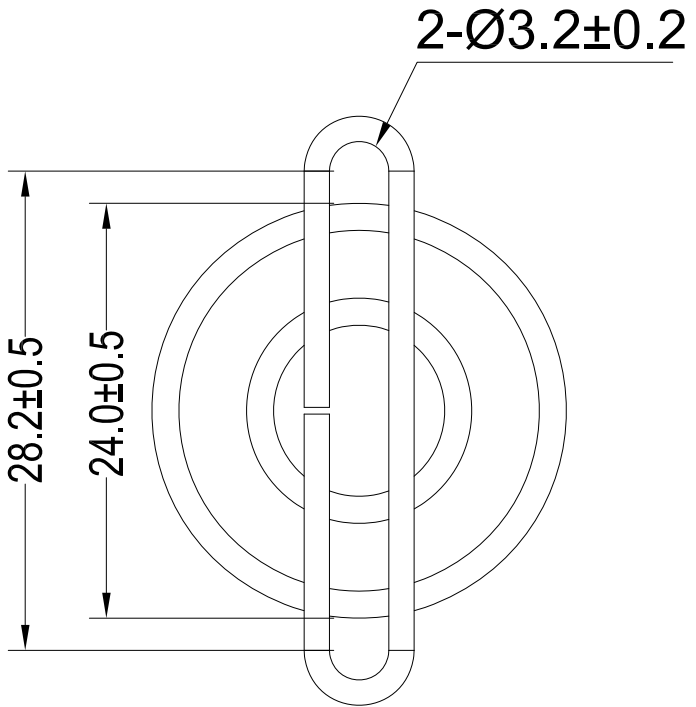


REVISED RECORD				
REV NO.	CONTENT	CHG BY	DATE	APPROVED BY
B0			01/18/2014	Gavin



Fits for Fan Size:
25*25*10mm 25*25*15mm

Specifications:

- * Materials: Bright basic wire.
- * Finish: bright nickel chrome plating.
- ① Rings are $\varnothing 1.6 \pm 0.1$
- ② Ribs are $\varnothing 1.6 \pm 0.1$
- * Weld joints to withstand 88 lbs pull force.
- * Part meets $\varnothing 6.35$ mm plug gauge test.

UNLESS OTHERWISE SPECIFIED TOLERANCES		COOLTRON INDUSTRIAL SUPPLY, INC.			
X. XXX	± 0.127	UNITS MM			DRAWN Gavin
X. XX	± 0.15				
X. X	± 0.2				
X. X°	$\pm 0.5^\circ$				
DRAWN	Gavin	DATE	01/18/2014	TITLE	FGW-025A-1
CHECKED		DATE		Drawing Number	
APPROVED		DATE		Process:	SCALE 1:1 SHT 1 OF 1
THIRD ANGLE		PROJECT			