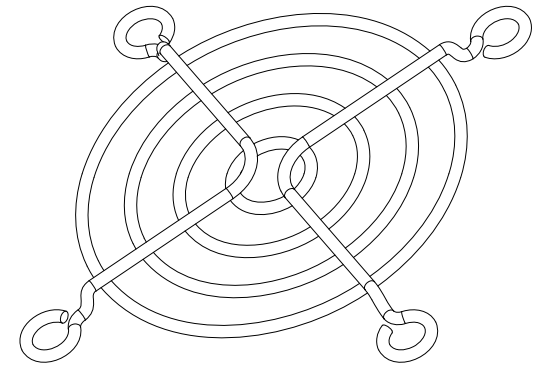
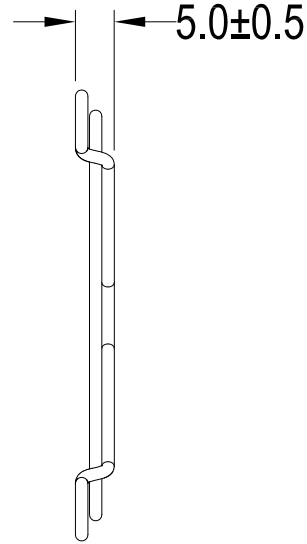
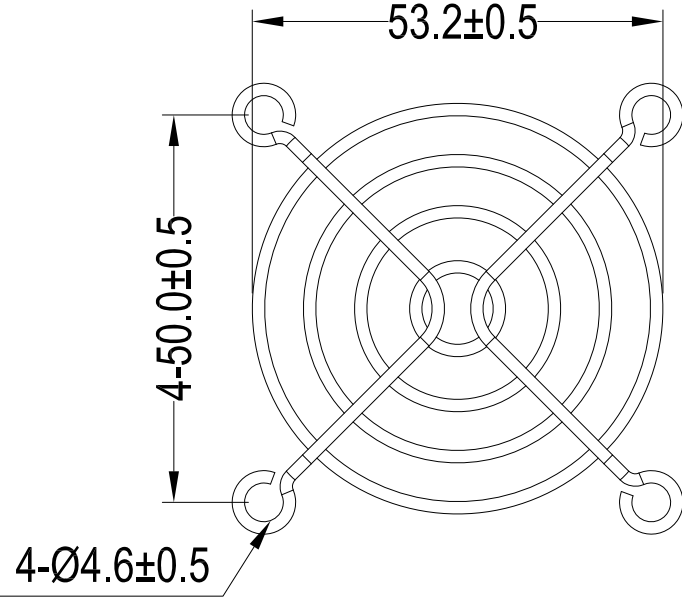


REVISED RECORD				
REV NO.	CONTENT	CHG BY	DATE	APPROVED BY
B3			01/18/2014	Gavin



**Fits for Fan Size:**

- 60\*60\*10mm 60\*60\*15mm 60\*60\*20mm
- 60\*60\*25mm 60\*60\*38mm

**Specifications:**

- \* Materials: Bright basic wire.
- \* Finish: bright nickel chrome plating.
- ① Rings are  $\varnothing 1.6 \pm 0.1$
- ② Ribs are  $\varnothing 1.6 \pm 0.1$
- \* Weld joints to withstand 88 lbs pull force.
- \* Part meets  $\varnothing 6.35$ mm plug gauge test.

UNLESS OTHERWISE SPECIFIED TOLERANCES		COOLTRON INDUSTRIAL SUPPLY, INC.						
X. XXX	$\pm 0.127$	UNITS						
X. XX	$\pm 0.15$							
X. X	$\pm 0.2$	MM	DRAWN	Gavin	DATE	01/18/2014	TITLE	FGW-060A-1
X. X°	$\pm 0.5^\circ$		CHECKED		DATE		Drawing Number	
THIRD ANGLE		APPROVED		DATE		Process:	SCALE 1:1	SHT 1 OF 1
		PROJECT						