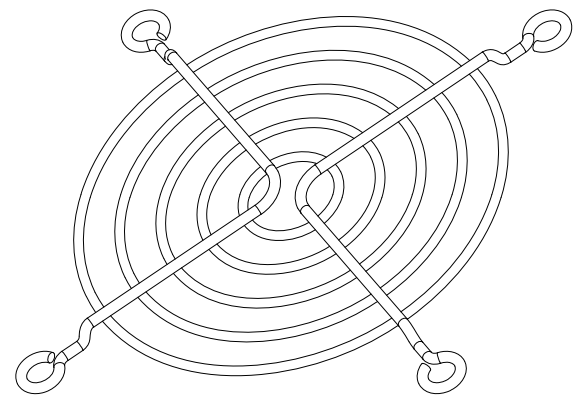
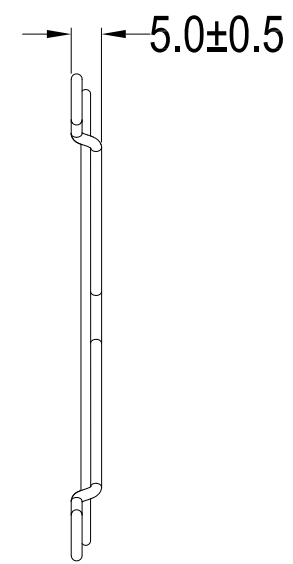
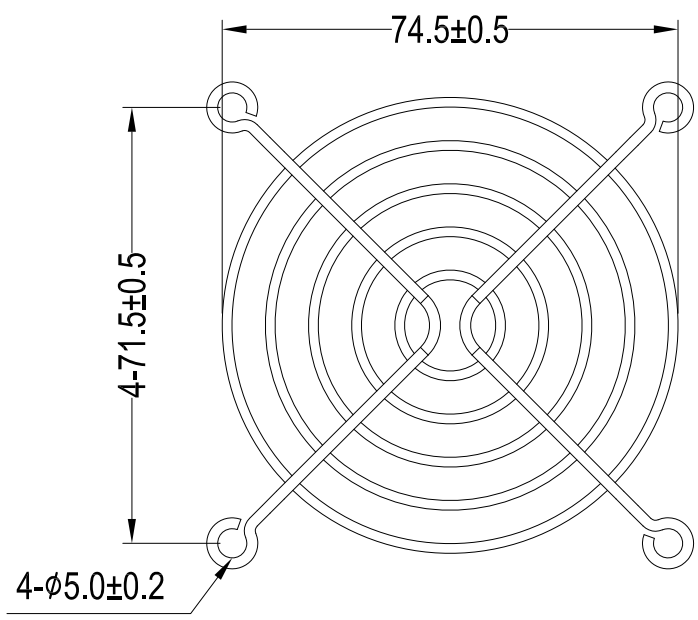


REVISED RECORD				
REV NO.	CONTENT	CHG BY	DATE	APPROVED BY
B3			01/18/2014	Gavin



**Fits for Fan Size:**

- 80\*80\*10mm 80\*80\*15mm 80\*80\*20mm
- 80\*80\*25mm 80\*80\*32mm 80\*80\*38mm

**Specifications:**

- \* Materials: Bright basic wire.
- \* Finish: bright nickel chrome plating.
- ① Rings are  $\varnothing 1.6 \pm 0.1$
- ② Ribs are  $\varnothing 1.8 \pm 0.1$
- \* Weld joints to withstand 88 lbs pull force.
- \* Part meets  $\varnothing 6.35$ mm plug gauge test.

UNLESS OTHERWISE SPECIFIED TOLERANCES		COOLTRON INDUSTRIAL SUPPLY, INC.											
X. XXX	$\pm 0.127$	UNITS											
X. XX	$\pm 0.15$												
X. X	$\pm 0.2$	MM	DRAWN	Gavin	DATE	01/18/2014	TITLE	FGW-080A-1					
X. X°	$\pm 0.5^\circ$		CHECKED		DATE		Drawing Number						
THIRD ANGLE				APPROVED		DATE		Process:		SCALE	1:1	SHT	1 OF 1
		PROJECT											