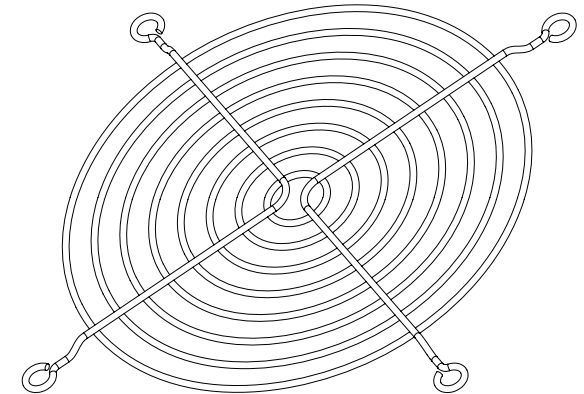
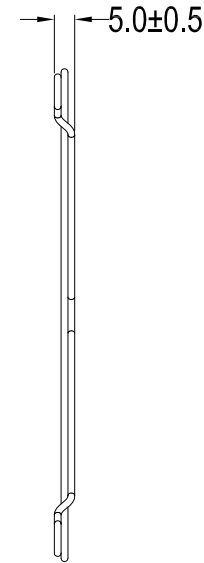
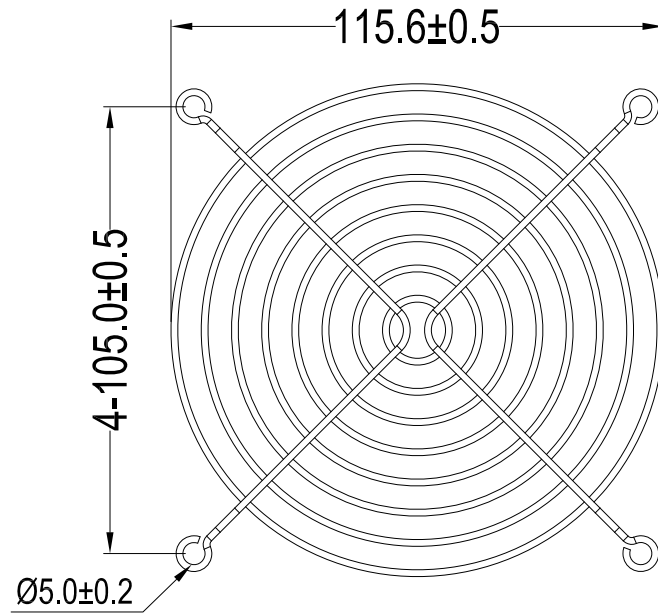


REVISED RECORD				
REV NO.	CONTENT	CHG BY	DATE	APPROVED BY
B3			01/18/2014	Gavin



Fits for Fan Size:

120\*120\*25mm 120\*120\*32mm 120\*120\*38mm

Specifications:

- \* Materials: Bright basic wire.
- \* Finish: bright nickel chrome plating.
- ① Rings are  $\text{Ø}1.8\pm0.1$
- ② Ribs are  $\text{Ø}1.8\pm0.1$
- \* Weld joints to withstand 88 lbs pull force.
- \* Part meets  $\text{Ø}6.35\text{mm}$  plug gauge test.

UNLESS OTHERWISE SPECIFIED TOLERANCES		COOLTRON INDUSTRIAL SUPPLY, INC.						
X. XXX	±0.127	UNITS						
X. XX	±0.15							
X. X	±0.2	MM	DRAWN	Gavin	DATE	01/18/2014	TITLE	FGW-120A-1
X. X°	±0.5°		CHECKED		DATE		Drawing Number	
THIRD ANGLE		APPROVED		DATE		Process:	SCALE 1:1	SHT 1 OF 1
		PROJECT						