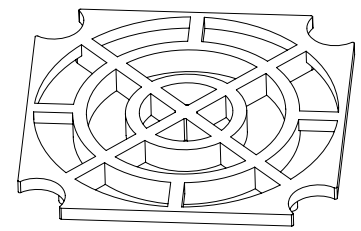
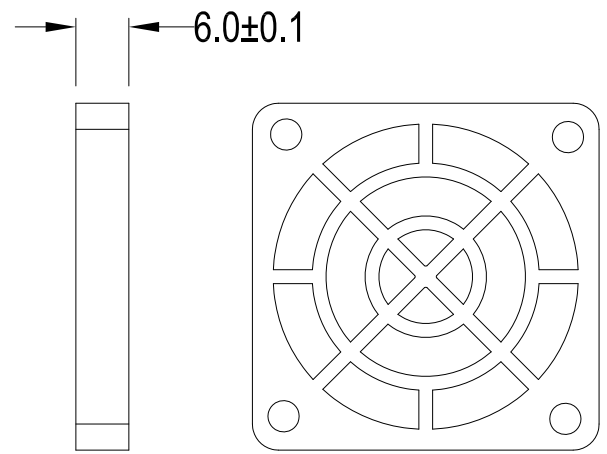
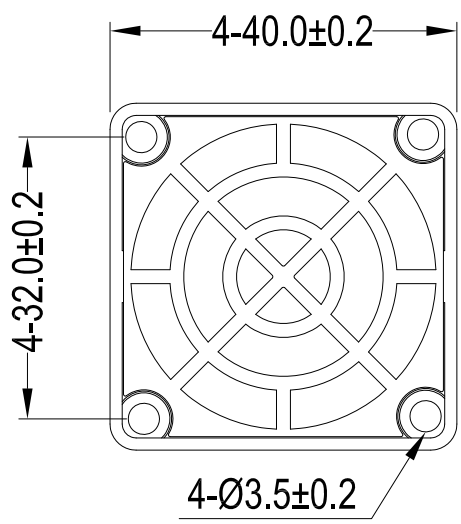
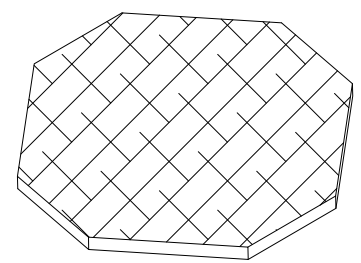


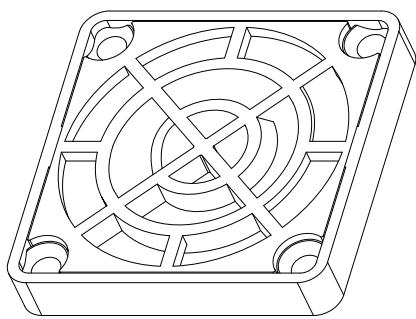
REVISED RECORD				
REV NO.	CONTENT	CHG BY	DATE	APPROVED BY
B2			01/18/2014	Gavin



Guard



Filter



Retainer

Fits for Fan Size:

- 40\*40\*07mm 40\*40\*10mm 40\*40\*15mm
- 40\*40\*20mm 40\*40\*28mm

Specifications:

- \* Retainer & Guard Material : Flame .  
-Retardant plastic ABS thermoplastic , rated UL94V0 .
- \* Retainer & Guard Color : Standard black .
- \* Filter material : Polyurethane ( PU ) Foam ; Size : 36.8\*36.8\*2.0mm .
- \* Filter Density : 40PPI , 60PPI ( pores per inch ) .
- \* No Burr , Flash , Bruising , Scratches .
- \* Product not deformation .

UNLESS OTHERWISE SPECIFIED TOLERANCES		UNITS
0 <L ≤ 20	± 0.05	
20 <L ≤ 50	± 0.07	
50 <L ≤ 100	± 0.10	
100 <L ≤ 150	± 0.15	
100 <L	± 0.20	

COOLTRON INDUSTRIAL SUPPLY, INC.

DRAWN	Gavin	DATE	01/18/2014	TITLE	FPF-040A-40	
CHECKED		DATE		Drawing Number		
APPROVED		DATE		Process:	SCALE 1:1	SHT 1 OF 1
THIRD ANGLE		PROJECT				