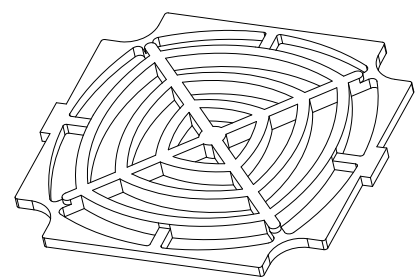
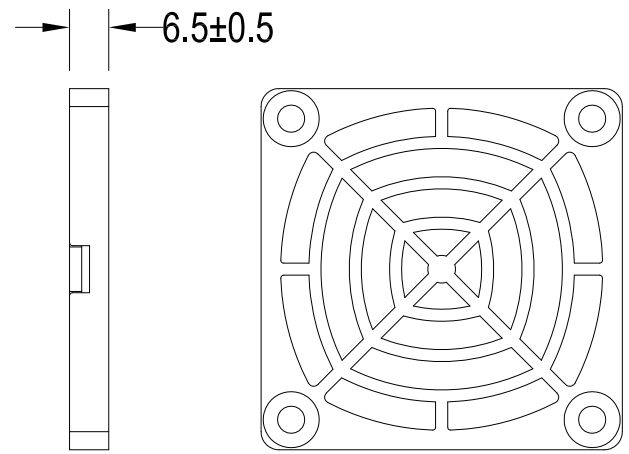
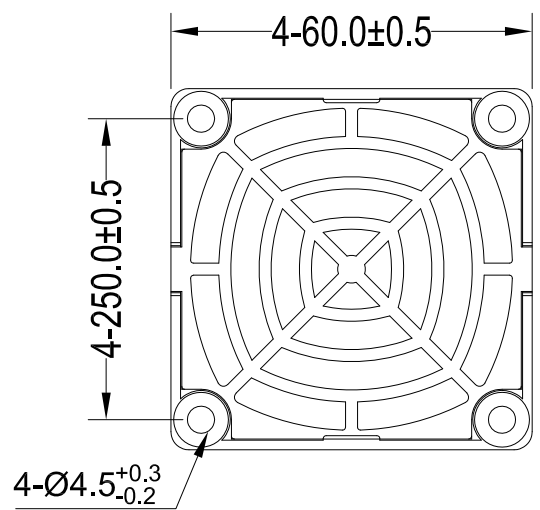
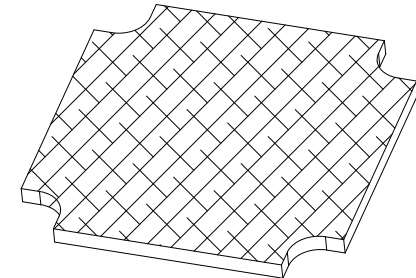


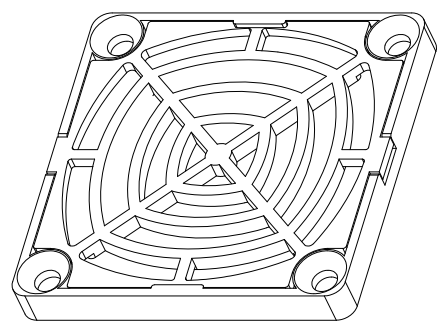
| REVISED RECORD |         |        |            |             |
|----------------|---------|--------|------------|-------------|
| REV NO.        | CONTENT | CHG BY | DATE       | APPROVED BY |
| B2             |         |        | 01/18/2014 | Gavin       |
|                |         |        |            |             |



Guard



Filter



Retainer

Fits for Fan Size:

- 60\*60\*10mm 60\*60\*15mm 60\*60\*20mm
- 60\*60\*25mm 60\*60\*38mm

Specifications:

- \* Retainer & Guard Material : Flame .  
-Retardant plastic ABS thermoplastic , rated UL94V0 .
- \* Retainer & Guard Color : Standard black .
- \* Filter material : Polyurethane ( PU ) Foam ; Size : 56.0\*56.0\*3.0mm .
- \* Filter Density : 40PPI , 60PPI ( pores per inch ) .
- \* No Burr , Flash , Bruising , Scratches .
- \* Product not deformation .

| UNLESS OTHERWISE SPECIFIED TOLERANCES |        | COOLTRON INDUSTRIAL SUPPLY, INC. |         |         |      |            |                |             |            |
|---------------------------------------|--------|----------------------------------|---------|---------|------|------------|----------------|-------------|------------|
| 0 < L ≤ 20                            | ± 0.05 | UNITS                            |         |         |      |            |                |             |            |
| 20 < L ≤ 50                           | ± 0.07 |                                  |         |         |      |            |                |             |            |
| 50 < L ≤ 100                          | ± 0.10 | MM                               | DRAWN   | Gavin   | DATE | 01/18/2014 | TITLE          | FPF-060A-40 |            |
| 100 < L ≤ 150                         | ± 0.15 |                                  | CHECKED |         | DATE |            | Drawing Number |             |            |
| 100 < L                               | ± 0.20 | APPROVED                         |         | DATE    |      | Process:   | SCALE          | 1:1         | SHT 1 OF 1 |
| THIRD ANGLE                           |        |                                  |         | PROJECT |      |            |                |             |            |