

- ◆ Zero Crossing or Random-on Switching
- ◆ SCR Output
- ◆ DC Input Control
- ◆ Load Current: 25A, 40A , 50A
- ◆ IP20 Safety Cover Protection (optional)
- ◆ RoHS Compliant



### Ordering Information

<b>KSID</b>	<b>240</b>	<b>LD</b>	<b>25</b>	<b>R</b>	<b>P</b>	<b>(XXX)</b>
KSID Series (1)	Load Voltage 240: 240VAC 480: 480VAC	Control Voltage LD: 4-15VDC HD: 15-32VDC	Load Current 25: 25Amp 40: 40Amp 50: 50Amp	Switching Mode Blank: Zero Crossing R: Random-on	Blank: Quick Connection Terminal P: Screw Terminal (IP20)	Customized Code

Note (1): The part number selection is subject to the following list.

Information	25A	40A	50A
LD:4-15VDC	KSID240LD25	KSID240LD40	
	KSID240LD25R	KSID240LD40R	
	KSID480LD25	KSID480LD40	
	KSID480LD25R	KSID480LD40R	
	KSID240LD25P		KSID240LD50P
	KSID240LD25RP		KSID240LD50RP
	KSID480LD25P		KSID480LD50P
	KSID480LD25RP		KSID480LD50RP
HD:15-32VDC	KSID240HD25	KSID240HD40	
	KSID240HD25R	KSID240HD40R	
	KSID480HD25	KSID480HD40	
	KSID480HD25R	KSID480HD40R	
	KSID240HD25P		KSID240HD50P
	KSID240HD25RP		KSID240HD50RP
	KSID480HD25P		KSID480HD50P
	KSID480HD25RP		KSID480HD50RP

### General Specifications

Input Specifications (Ta=25°C)			
Control Voltage Range	LD		4-15VDC
	HD		15-32VDC
Must Turn-On Voltage	LD		4VDC
	HD		15VDC
Must Turn-Off Voltage			1VDC
Maximum Input Current	LD		50mA@15VDC
	HD		25mA@32VDC

### General Specifications

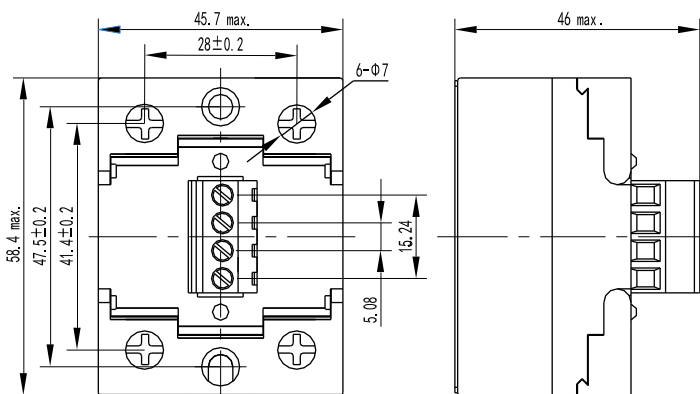
Output Specifications (Ta=25°C)		
Load Voltage Range	240VAC	24-280VAC
	480VAC	24-530VAC
Maximum Turn-On Time	Zero Crossing	10ms
	Random-on	1ms
Maximum Turn-Off Time	10ms	
Maximum 1 Cycle Surge Current (50Hz)	25A	300A
	40A	400A
	50A	500A
Maximum I <sup>2</sup> t for Fusing (@10ms)	25A	450A <sup>2</sup> s
	40A	800A <sup>2</sup> s
	50A	1250A <sup>2</sup> s
Transient Overvoltage	240VAC	600Vpk
	480VAC	1200Vpk
Maximum Off-State Leakage Current@Rated Load Voltage	10mA	
Maximum On-State Voltage Drop@Rated Current	1.5Vrms	
Minimum Off-State dv/dt@Maximum Rated Voltage	500V/μs	

General Specifications (Ta=25°C)			
Dielectric Strength (50/60Hz)	Input/Output	4000Vrms	
	Input, output/Base	2500Vrms	
Minimum Insulation Resistance (@500VDC)	1000MΩ		
Ambient Temperature Range	-30°C ~ +80°C		
Storage Temperature Range	-30°C ~ +100°C		
Weight (Typical)	Quick Connection Terminal	100g	
	Screw Terminal (IP20)	25A	150g
		50A	185g

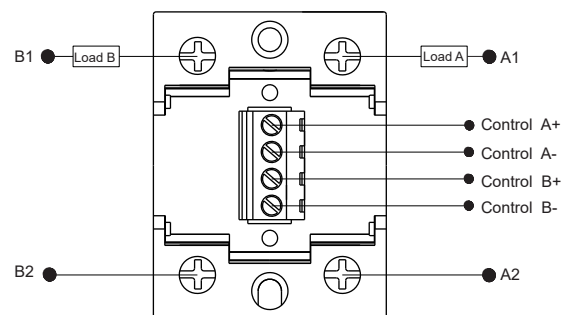
### Applications

Temperature Chamber, Plastics Machinery, Food Processing Machinery, Glass Machinery, Incubator, Oiling machines, HVAC, Lighting Controller, and etc.

### Outline Dimensions / Wiring Diagram

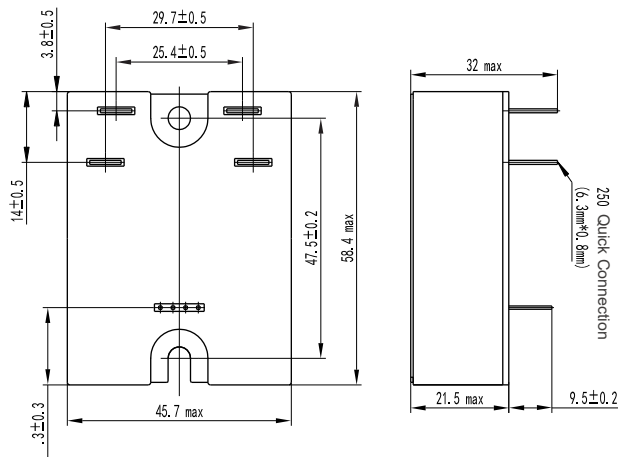


Screw Terminal (IP20)

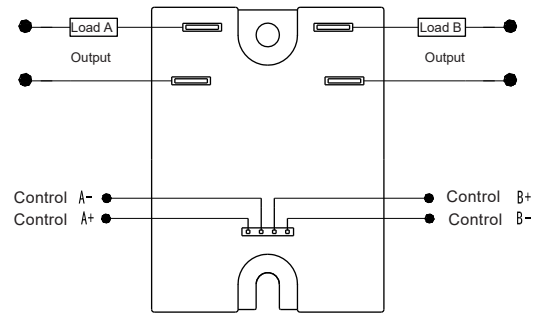


Wiring Diagram

### Outline Dimensions / Wiring Diagram



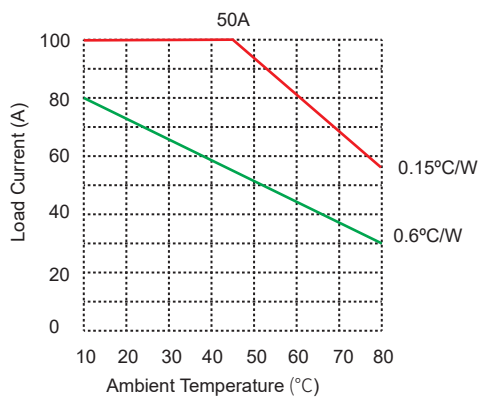
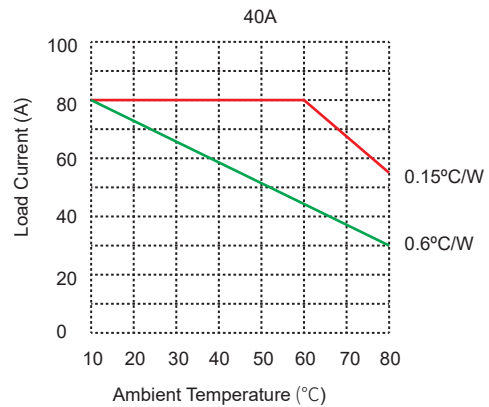
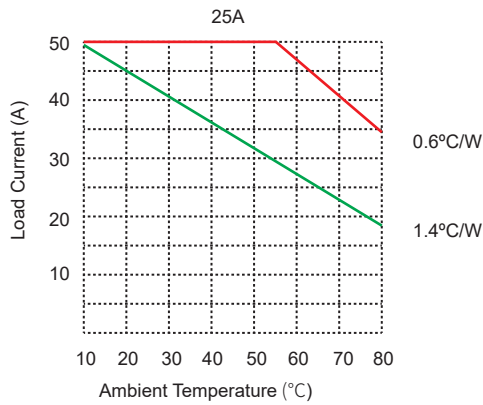
Quick Connection Terminal



Wiring Diagram

### Thermal Derating Curve

Note: The following load current curve shows the total current, each channel current cannot exceed 1/2 of the total current.



### General Notes

1. Relay must be mounted to proper sized heat sink based on thermal curves. Thermal grease or a thermal pad must be used between relay and heat sink and be torqued down to 18-20/2.0-2.2 in-lb/N·m.
2. When connection wiring to SSR please ensure screws are torqued down properly (input 13-15/1.5-1.7in/lb/N·m, output 18-20/2.0-2.2 in-lb/N·m).
3. When Ambient temperature is above 25°C see thermal derating.

### Agency Approvals (Certification)



TUV & S-mark are only available for IP20.