



- 5 Year Warranty
- -40°C to +71°C Operation
- MIL-STD-810E Vibration / Shock
- Input transient protected
- UL508, SEMIF47, Factory Mutual (Class 1, Division 2)

## LZSA Series

Single Output Industrial Power Supplies

### Key Market Segments & Applications

- Factory Automation
- Process & Controls
- Harsh Environments

### LZSA Features and Benefits

#### Features

- Rugged mechanical design with coating on PCBS
- Superior thermal design
- Wide range adjustment of output
- Input voltage transient protected

#### Benefits

- High reliability in harsh conditions
- Longer life even at 71°C operation
- Reduces need for custom outputs
- Reduced system filtering

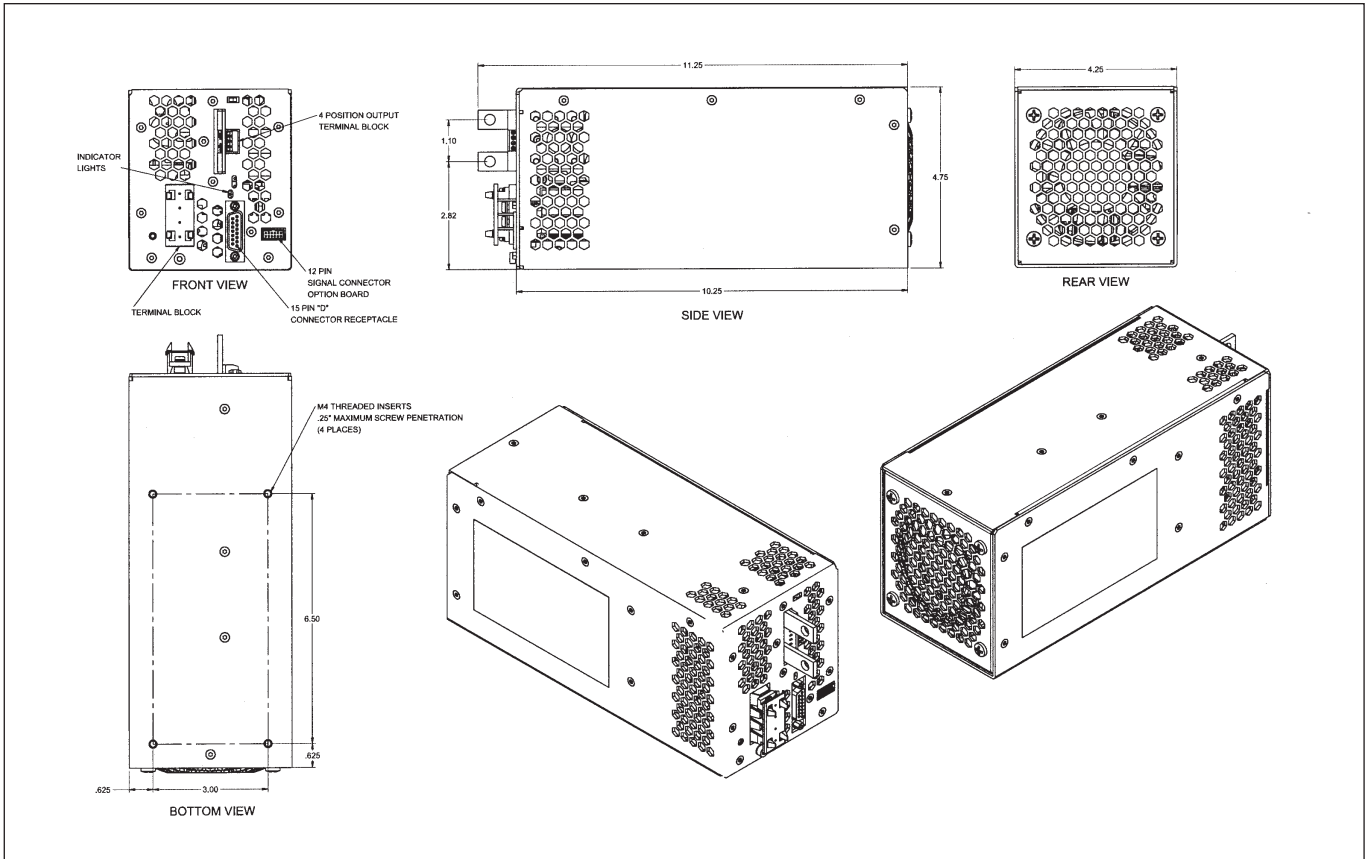
### Specifications

MODELS		LZSA500	LZSA1000	LZSA1500
ITEMS				
Input Voltage (47-440Hz)*	-	85 - 265V (1500W: See output rating below 100VAC) 100-400VDC		
Inrush Current (110 / 220VAC)	A	20 / 40A	40 / 80A	
Power Factor	-	EN61000-3-2 Class A		
Efficiency (typical)	%	84%		
Ripple & Noise (Max) Pk-Pk	-	75mV	75mV	24V: 75mV 48V: 150mV
Line Regulation	%	0.1%		
Load Regulation	%	0.1%		
Transient Response	-	±1% deviation, recovering to ±0.2% in <1.25ms (25% load change)		
Overcurrent Protection	-	110 - 130%		
Overvoltage Protection	V	User adjustable from front panel		
Thermal Protection	-	Internal thermostat. Recycle AC to reset		
Hold Up Time at 110VAC	ms	20ms Hold Up, 20ms Ride Through		
Remote Sense	-	Compensates for a total of 1V cable drop		
Remote Adjust	-	Using front panel potentiometer, Resistance (1k/V), or Voltage (1V/V)		
Remote On / Off	-	TTL compatible, active high		
Signals	-	Optocoupled transistor for AC Fail, DC Good, Inverter OK, 200kHz sync signal (ref-sense)		
Indicators	-	Green LED indicates output good, red LED indicates overvoltage or over temperature		
Parallel Connection	-	Single wire current share		
Operating Temperature	°C	-40°C to +71°C, derate linearly to 60% load from 60°C to 71°C (20 min warm up period needed for <-30°C)		
Storage Temperature	°C	-40°C to +85°C		
Temperature Coefficient	-	0.01%/°C		
Humidity (non condensing)	%RH	10 - 90		
Cooling	-	Internal fan		
Withstand Voltage	-	Input - Ground 2,121VDC, Input - Output 4,242VDC, Output - Ground 500VDC		
Vibration	-	MIL-STD-810E, Method 516.4 Proc. I, II, IV, VI		
Shock	-	MIL-STD-810E, Method 514.4, Category 1, 9		
Safety Agency Approvals	-	UL60950-1, UL508, EN60950-1, FM 3600, 3611, 3810, & CE Mark. SEMIF47(>100VAC)		
Leakage current	uA	<500uA at 265VAC, 60Hz		
Emissions	-	EN55022/EN55011 Class B, EN61000-3-3, MIL STD461/462D CE102		
Immunity	-	EN61000-4-2, -3, -4, -5, -6, -8, -11. IEEE C62.41 (6kV/30 Ohm, Criteria A)		
Altitude	m	3,000m operating, 12,000m non operating		
Weight	kg	2.95	3.7	
Size (WxHxD) (w/o bus bars)	mm	108 x 121 x 260	143 x 121 x 267	
Warranty	yrs	5		

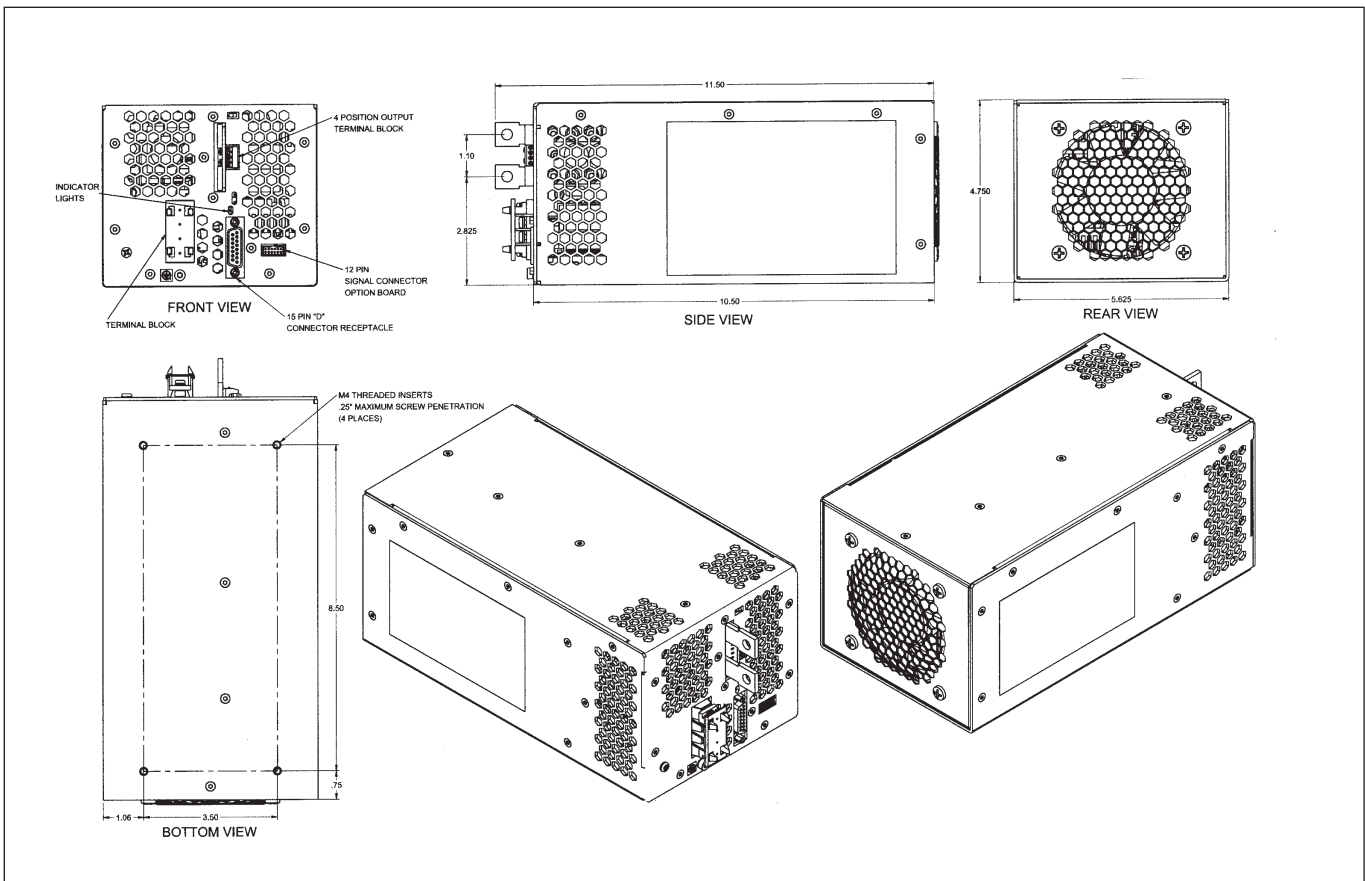
Notes: (Consult Installation Manual for detailed specifications, test methods and application notes)

\*Reduced power factor above 63Hz

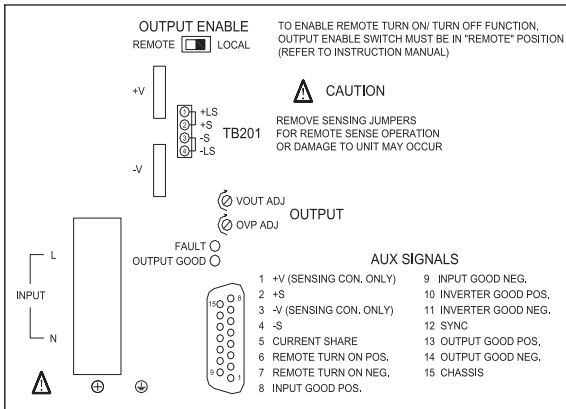
**Outline Drawing LZSA500**



**Outline Drawing LZSA1000/1500**



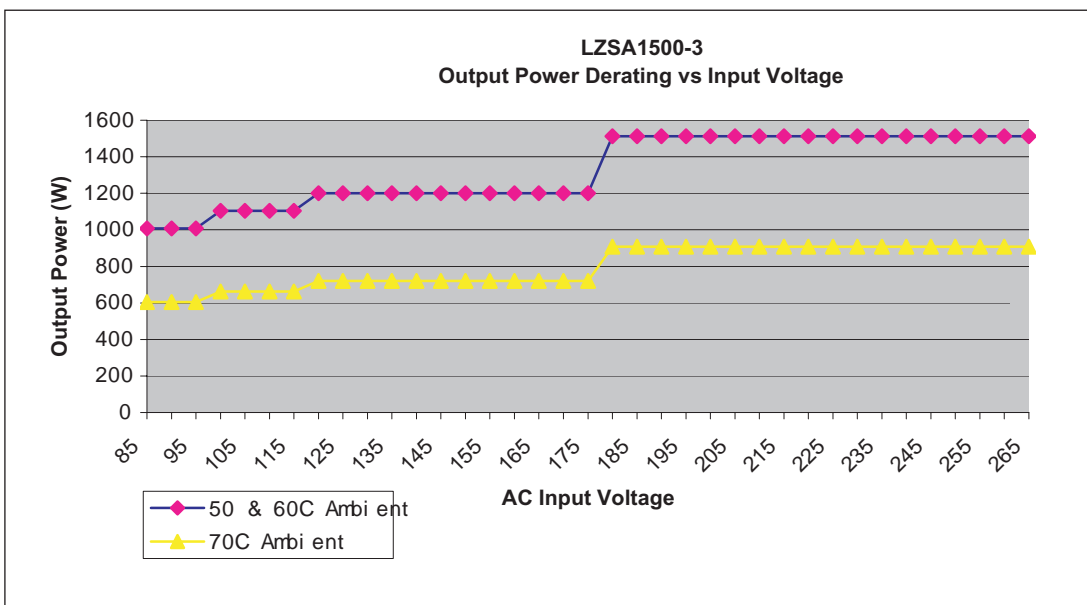
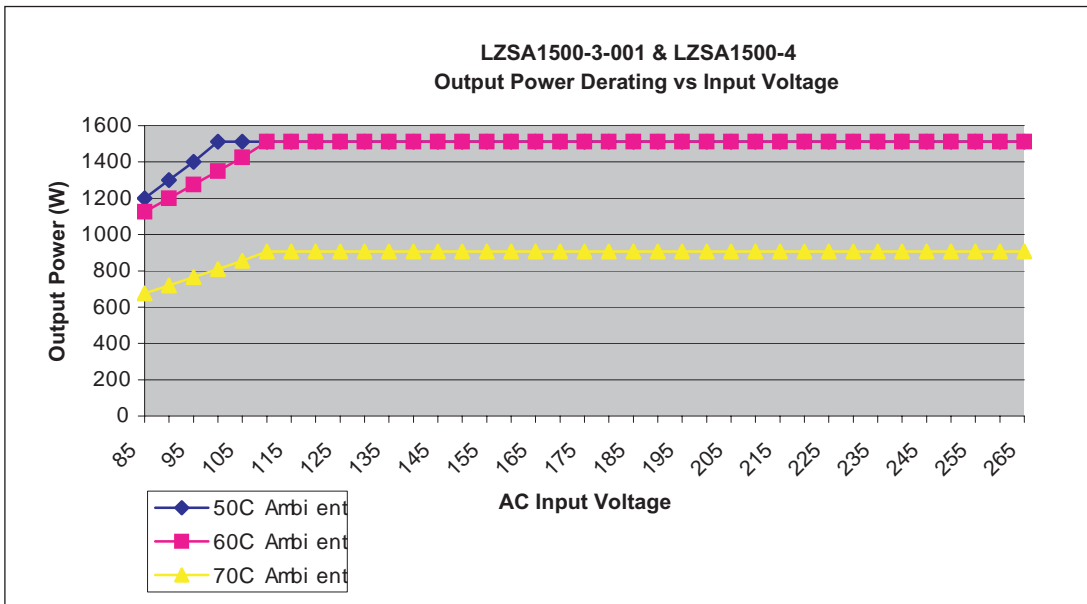
## Connection Diagram LZSA500 Series



Model Selector				
Model	Nominal Voltage (V)	Adjustment Range (V)	Maximum Current (A)	Maximum Power (W)
LZSA500-3	24	18 - 29.4	21	504
LZSA1000-2	12	10 - 15.75	84	1008
LZSA1000-3	24	18 - 29.4	42	1008
LZSA1500-3-001	24	18 - 29.4	63	1512 <sup>(1)</sup>
LZSA1500-4	48	36 - 56	31.5	1512 <sup>(1)</sup>

Note (1) 1512W @ 180-265VAC, 1200W @ 120VAC, 1104W @ 100 VAC, 1008W @ 85VAC

Figure 1 - PIN Assignments for TB201 and chassis mounted "D" connector



**TDK-LAMBDA EMEA**

[www.emea.tdk-lambda.com](http://www.emea.tdk-lambda.com)



**TDK-Lambda France SAS**

Route de Grivery  
ZAC des Delaches  
CS 41077  
91978 Courtaboeuf Cedex  
France  
Tel: +33 1 60 12 71 65  
Fax: +33 1 60 12 71 66  
[france@fr.tdk-lambda.com](mailto:france@fr.tdk-lambda.com)  
[www.fr.tdk-lambda.com](http://www.fr.tdk-lambda.com)



**Italy Sales Office**  
Via dei Lavoratori 128/130  
20092 Cinisello Balsamo (MI)  
Italy  
Tel: +39 02 61 29 38 63  
Fax: +39 02 61 29 09 00  
[info.italia@it.tdk-lambda.com](mailto:info.italia@it.tdk-lambda.com)  
[www.it.tdk-lambda.com](http://www.it.tdk-lambda.com)



**TDK-Lambda Germany GmbH**

Karl-Bold-Strasse 40  
77855 Achern  
Germany  
Tel: +49 7841 666 0  
Fax: +49 7841 5000  
[info.germany@de.tdk-lambda.com](mailto:info.germany@de.tdk-lambda.com)  
[www.de.tdk-lambda.com](http://www.de.tdk-lambda.com)



**Austria Sales Office**  
Aredstrasse 22  
2544 Leobersdorf  
Austria  
Tel: +43 2256 655 84  
Fax: +43 2256 645 12  
[info.germany@de.tdk-lambda.com](mailto:info.germany@de.tdk-lambda.com)  
[www.de.tdk-lambda.com](http://www.de.tdk-lambda.com)



**TDK-Lambda UK Ltd.**

Kingsley Avenue  
Ilfracombe  
Devon EX34 8ES  
United Kingdom  
Tel: +44 (0) 12 71 85 66 66  
Fax: +44 (0) 12 71 86 48 94  
[powersolutions@uk.tdk-lambda.com](mailto:powersolutions@uk.tdk-lambda.com)  
[www.uk.tdk-lambda.com](http://www.uk.tdk-lambda.com)



**Nemic Lambda Ltd.**

Kibbutz  
Givat Hashlosha 48800  
Israel  
Tel: +9 723 902 4333  
Fax: +9 723 902 4777  
[info@nemic.co.il](mailto:info@nemic.co.il)  
[www.nemic.co.il](http://www.nemic.co.il)



**Russia**

Technical Support:  
St Petersburg  
Tel: +7 (812) 6580463  
Sales:  
Moscow  
Tel: +7 (499) 7557732  
[info@tdk-lambda.ru](mailto:info@tdk-lambda.ru)  
[www.tdk-lambda.ru](http://www.tdk-lambda.ru)

**LOCAL DISTRIBUTION**

