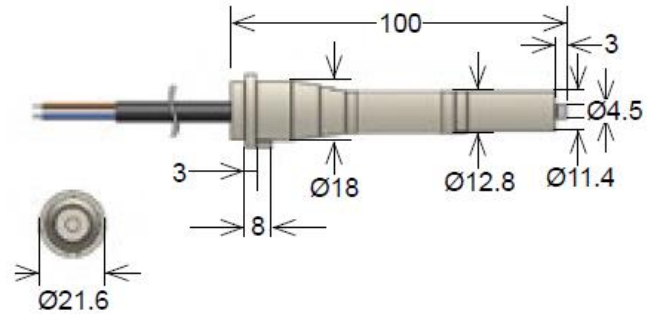


MK08 Series Reed Sensors



- Features: Ex-approved Reed Sensor, Choice of Cable Termination & Lengths available
- Applications: Petrochemical and Mining Industry, Filling stations, Hazardous Areas & Others
- Markets: Industrial, Security & Others

Part Description: **MK 08-0X00-000X**

Contact QTY	Contact Form	Switch Model	Cable Length (mm)	Termination
1	A, B	66, 85	100, 200, 300, 500, 1,000, 1,500	w

Customer Options	Switch Model		Unit
	66	85	
Contact Data			
Rated Power (max.) Any DC combination of V&A not to exceed their individual max.'s	10	100	W
Switching Voltage (max.) DC or peak AC	200	1000	V
Switching Current (max.) DC or peak AC	0.5	0.5	A
Carry Current (max.) DC or peak AC	1.0	1	A
Contact Resistance (max.) @ 0.5V & 50mA	150	200	mOhm
Breakdown Voltage (min.) According to EN60255-5	0.25	1	kVDC
Operating Time (max.) Incl. Bounce; Measured with w/ Nominal Voltage	0.7	0.5	ms
Release Time (max.) Measured with no Coil Excitation	0.05	0.1	ms
Insulation Resistance (typ.) Rh<45%, 100V Test Voltage	10 ¹⁰	10 ¹⁰	GOhm
Capacitance (typ.) @ 10kHz across open Switch	0.3	0.4	pF

Series Datasheet – MK08 Reed Sensors

www.standexmeder.com

Housing and Cable Specifications	
Housing Material	Polycarbonat
Case Color	various
Sealing Compound	Polyurethan/Silicon
Cable Typ	Round Cable
Cable Material	Oil resistant cable H05RN-F
Cross Section (mm ²)	2 x 0.75

Environmental Data		Unit
Shock Resistance (max.) 1/2 sine wave duration 11ms	30	g
Vibration Resistance (max.)	20	g
Operating Temperature Cable not moved	-40 to 60	°C
Operating Temperature Cable moved	-05 to 60	°C
Storage Temperature	-40 to 60	°C

Glossary Contact Form		
Form A	NO = Normally Open Contacts SPST = Single Pole Single Throw	
Form B	NC = Normally Closed Contacts SPST = Single Pole Single Throw	
Form C	Changeover SPDT = Single Pole Double Throw	



- Handing & Assembly Instructions**
- Cable min. bending-radius is diameter x 15
 - Min. bending distance to housing is 5mm
 - Decrease switching distance by mounting on iron
 - Do not use magnetically inductive screws
 - Series resistor recommended for > 5m cable length

