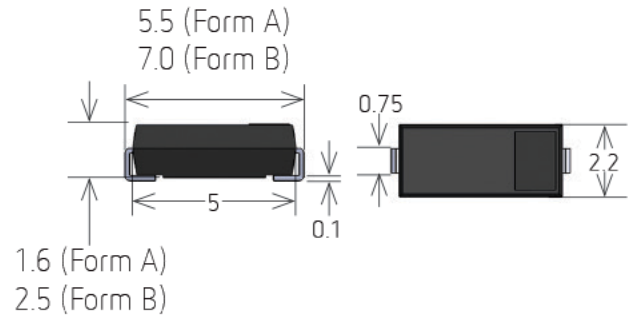


MK24 Series Reed Sensors

- **Features:** Supplied in Tape & Reel, J-Lead, Excellent for Low Power Operations
- **Applications:** On/Off Control Switch, Position Detection, Switching Element & Others
- **Markets:** Appliance, Telecommunication, Security, Medical & Others



Part Description: **M K 2 4 - X - 0**

Magnetic Sensitivity

A, B, C, D, E

Lead Design

1, 2, 3

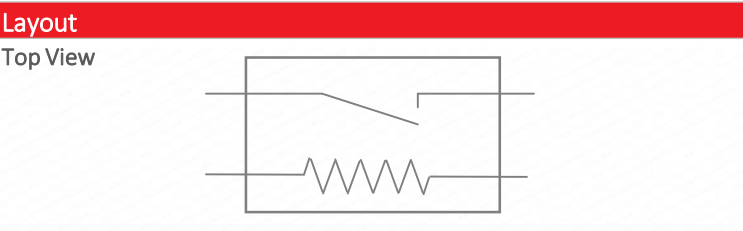
Customer Options	Switch Model	Unit
Contact Data	04	
Rated Power (max.) Any DC combination of V&A not to exceed their individual max.'s	3/1*	W
Switching Voltage (max.) DC or peak AC	30	V
Switching Current (max.) DC or peak AC	0.3/0.1*	A
Carry Current (max.) DC or peak AC	0.5/0.3*	A
Contact Resistance (max.) @ 0.5V & 50mA	200/250*	mOhm
Breakdown Voltage (min.) According to EN60255-5	0.1/0.06*	kVDC
Operating Time (max.) Incl. Bounce; Measured with w/ Nominal Voltage	0.25	ms
Release Time (max.) Measured with no Coil Excitation	0.15	ms
Insulation Resistance (typ.) Rh<45%, 100V Test Voltage	10 ¹⁰	Ohm
Capacitance (typ.) @ 10kHz across open Switch	0.1	pF

MK24 Series Reed Sensors

Housing and Lead Specifications	
Housing Material	Mineral Filled Epoxy
Case Color	Black
Lead Design 1	Flat, straight leads for PCB slot mounting
Lead Design 2	Flat, bent SMD leads
Lead Design 3	J-Lead

Environmental Data		Unit
Shock Resistance (max.) 1/2 sine wave duration 11ms	30	g
Vibration Resistance (max.)	20	g
Operating Temperature	-40 to 130	°C
Storage Temperature	-50 to 130	°C
Soldering Temperature (max.) 5 sec. max.	260	°C

Glossary Contact Form		
Form A	NO = Normally Open Contacts SPST = Single Pole Single Throw	
Form B	NC = Normally Closed Contacts SPST = Single Pole Single Throw	
Form C	Changeover SPDT = Single Pole Double Throw	

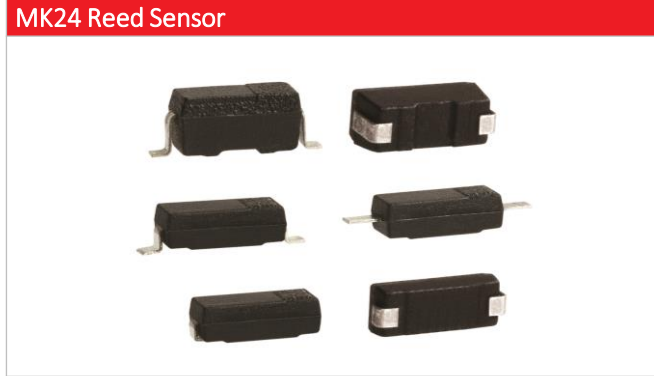


Glossary Magnetic Sensitivity							
Sens.	A	B	C	D	E	F	G
AT	05-10	10-15	15-20	20-25	25-30	30-35	35-40

Please note: All technical specifications on this series datasheet refer to the standard product range. Modifications in the sense of technical progress are reserved. For general information only. For more specific information, please consult the product datasheet, available upon request.

This series datasheet could contain technical inaccuracies or typographical errors. Changes are periodically made to the information herein. These change will be incorporated in future revisions.

For deviating values, most current specifications and products please contact your nearest sales office.



- Handling & Assembly Instructions**
- Use proper lead clamping or heat sinking techniques to prevent mechanical and/or heat stress during, soldering, and welding
 - Mechanical shock as the result of dropping the reed sensor typically from a distance of greater than 12" may change it's magnetic sensitivity and/or destroy the sensor
 - Reflow Soldering Conditions according to JEDEC norm J-STD-020D.1

