

WINSTAR Display

OLED SPECIFICATION

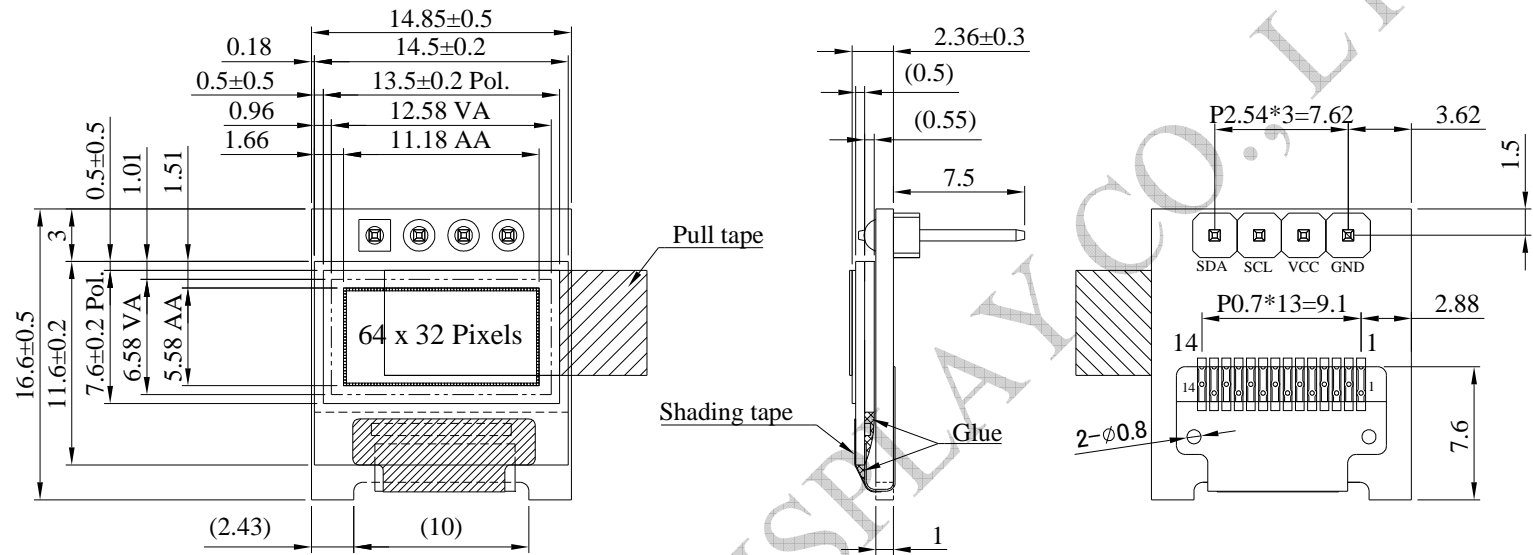
Model No:

WEA006432A

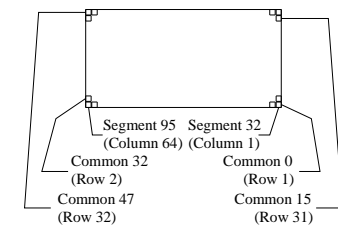
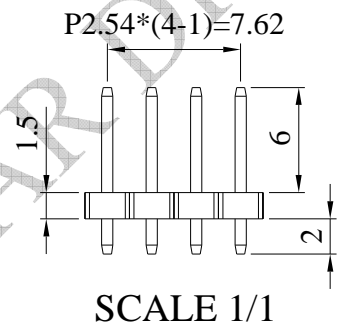
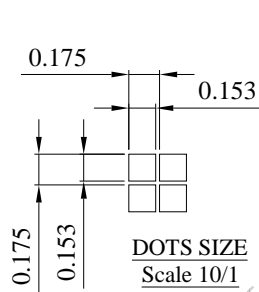
General Specification

Item	Dimension	Unit
Dot Matrix	64 x 32 Dots	—
Module dimension	14.85 x 16.6 x 2.36	mm
Active Area	11.18 x 5.58	mm
Pixel Size	0.153 x 0.153	mm
Pixel Pitch	0.175 x 0.175	mm
Display Mode	Passive Matrix	
Display Color	Monochrome	
Drive Duty	1/32 Duty	
IC	SSD1306BZ	
Interface	I2C	
Size	0.49 inch	

Contour Drawing & Block Diagram



PIN	SYMBOL
1	GND
2	VCC
3	SCL
4	SDA



The non-specified tolerance of dimension is ±0.3 mm .

Interface Pin Function

No.	Symbol	Function
1	GND	Ground
2	VCC	Power supply input.
3	SCL	When the I2C interface is selected, then D0 serves as the serial clock input pad (SCL) and D1 serves as the serial data input pad (SDAI).
4	SDA	

Absolute Maximum Ratings

Parameter	Symbol	Min	Max	Unit
Supply Voltage for Logic	VCC	0	4.0	V
Supply Voltage for Display	VCC1	0	16.0	V
Operating Temperature	TOP	-40	+80	°C
Storage Temperature	TSTG	-40	+85	°C

Electrical Characteristics

DC Electrical Characteristics

Item	Symbol	Condition	Min	Typ	Max	Unit
Supply Voltage for Logic	VCC	—	2.8	3.0	3.2	V
Input High Volt.	VIH	—	0.8×VDD	—	VDDIO	V
Input Low Volt.	VIL	—	0	—	0.2×VDD	V
Output High Volt.	VOH	—	0.9×VDD	—	VDDIO	V
Output Low Volt.	VOL	—	0	—	0.1×VDD	V
50% check Board operating Current	ICC	VCC1=7.5V	—	13.0	26.0	mA