

WINSTAR Display

OLED SPECIFICATION

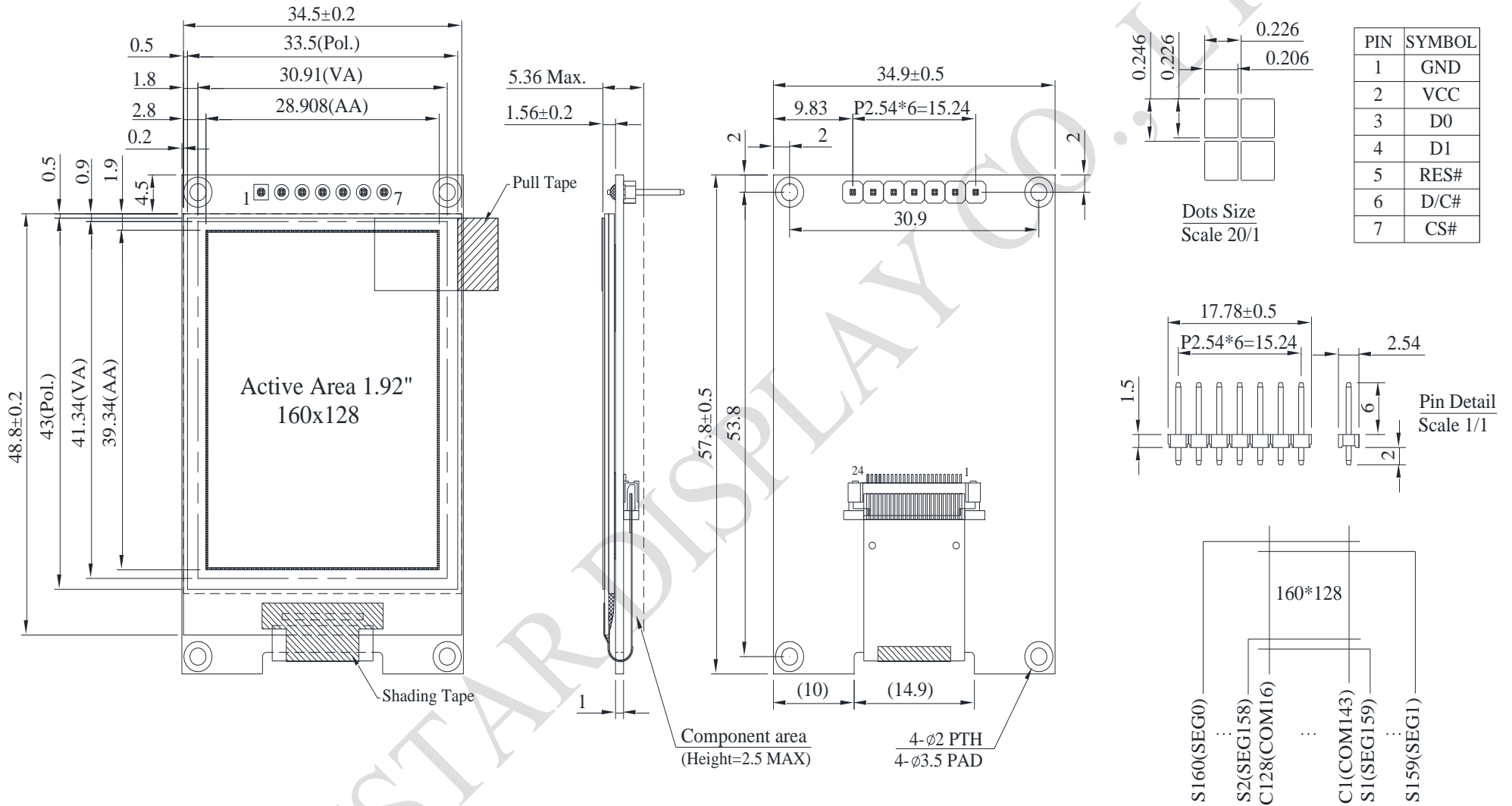
Model No:

WEA160128A

General Specification

Item	Dimension	Unit
Dot Matrix	160 x 128 Dots	-
Module dimension	34.90 × 57.80 × 5.36 Max.	mm
Active Area	28.908 x 39.34	mm
Pixel Size	0.206 × 0.226	mm
Pixel Pitch	0.226 x 0.246	mm
Display Mode	Passive Matrix	
Display Color	Monochrome	
Drive Duty	1/128 Duty	
OLED IC	SH1108	
OLED Interface	4-line SPI	
Size	1.92 inch	

Contour Drawing & Block Diagram



The non-specified tolerance of dimension is ± 0.3 mm .

Interface Pin Function

No.	Symbol	Function
1	GND	Ground.
2	VCC	Power supply pin for logic.
3	D0	When the serial interface is selected, then D0 serves as the serial clock input pad (SCL) and D1 serves as the serial data input pad (SI).
4	D1	
5	RES#	This is a reset signal input pad. When RES is set to "L", the settings are initialized. The reset operation is performed by the RES signal level.
6	D/C#	This is the Data/Command control pad that determines whether the data bits are data or a command. D/C = "H": the inputs at D0 and D1 are treated as display data. D/C = "L": the inputs at D0 and D1 are transferred to the command registers.
7	CS#	This pad is the chip select input. When CS = "L", then the chip select becomes active, and data command I/O is enabled.

Absolute Maximum Ratings

Parameter	Symbol	Min	Max	Unit
Supply Voltage for Logic	VCC	-0.3	3.6	V
Operating Temperature	TOP	-40	+80	°C
Storage Temperature	TSTG	-40	+85	°C

Electrical Characteristics

DC Electrical Characteristics

Item	Symbol	Condition	Min	Typ	Max	Unit
Supply Voltage for Logic	VCC	—	1.65	3.0	3.3	V
High Level Input	VIH	—	0.8×VCC	—	VCC	V
Low Level Input	VIL	—	GND	—	0.2×VCC	V
High Level Output	VOH	—	0.8×VCC	—	VCC	V
Low Level Output	VOL	—	GND	—	0.2×VCC	V
50% Check Board operating Current	ICC	VCC =3V	—	100	200	mA