

TFT DISPLAY SPECIFICATION



WINSTAR Display Co.,Ltd.
華凌光電股份有限公司



Winstar Display Co., LTD

華凌光電股份有限公司



WEB: <https://www.winstar.com.tw> E-mail: sales@winstar.com.tw

SPECIFICATION

MODULE NO.: WF0840ATWAMLNNO#

General Specifications

Item	Dimension	Unit
Screen Diagonal	8.4	inch
Number of Pixels	1024 × 3(BGR) × 768	dots
Module dimension	199.5 × 149.0 × 11.5	mm
Active area	170.8032 (H) × 128.1024(V)	mm
Pixel pitch	0.1668 × 0.1668	mm
Display Mode	Normally Black , Transmissive	
Viewing Angle	80/80/80/80	
TFT Drive IC	ST5821AH+ST5084AA or Equivalent	
TFT Interface	LVDS	
Backlight Type	LED, Normally White	
Aspect Ratio	4:3	
Side screw torque	Typ:0.9 Max:1.3 (Unit,Kgf-cm)	
Touch Panel	Without Touch Panel	
Surface	Anti-Glare	

*Color tone slight changed by temperature and driving voltage.

Absolute Maximum Ratings

Item	Symbol	Min	Typ	Max	Unit
Operating Temperature	TOP	-30	—	+80	°C
Storage Temperature	TST	-30	—	+80	°C

Electrical Characteristics

Operating conditions:

Item	Symbol	Min	Typ	Max	Unit	
Supply Voltage For Logic	V_{DD}	3.0	3.3	3.6	V	
Power Supply For Current	$V_{DD}=3.3V$	—	330	495	mA	
Input Voltage	H level	V_{IH}	$0.7V_{DD}$	—	V_{DD}	V
	L Level	V_{IL}	GND	—	$0.3V_{DD}$	V

Interface

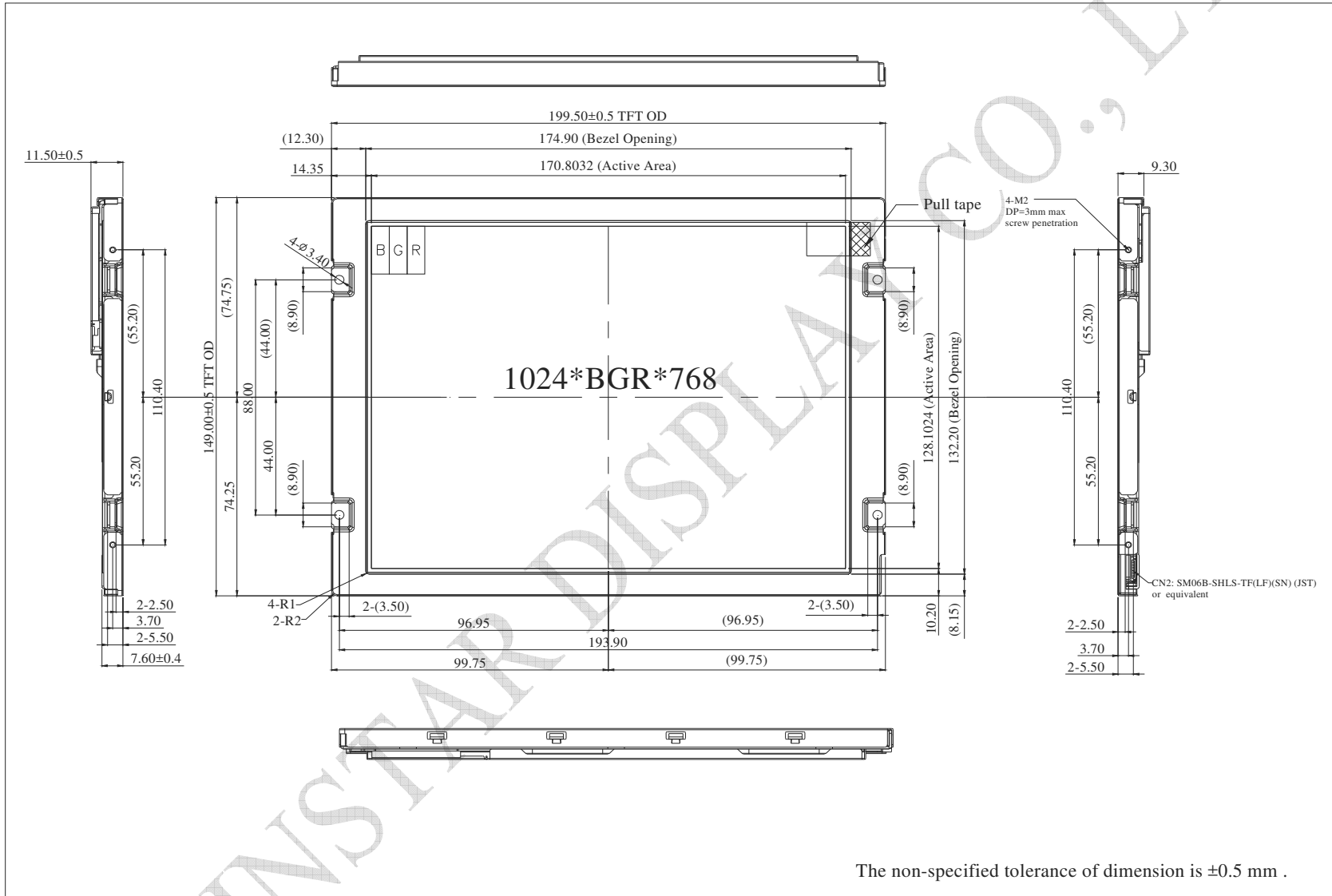
LCM PIN Definition

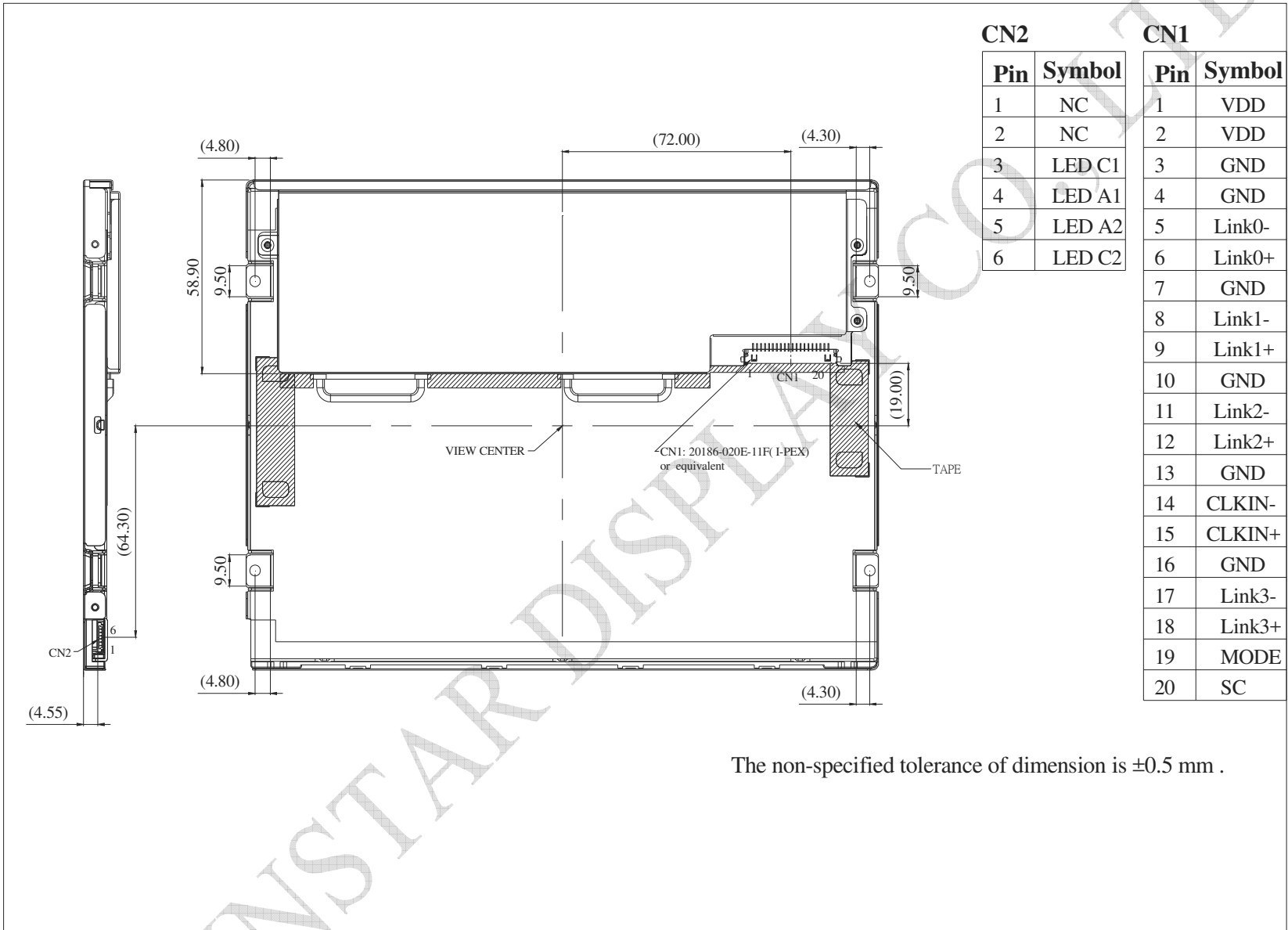
Pin No.	Symbol	Function	Remark
1	VDD	Power supply	
2	VDD	Power supply	
3	GND	Ground	
4	GND	Ground	
5	Link0-	0- LVDS differential data input (D0N)	
6	Link0+	0+ LVDS differential data input (D0P)	
7	GND	Ground	
8	Link1-	1- LVDS differential data input (D1N)	
9	Link1+	1+ LVDS differential data input (D1P)	
10	GND	Ground	
11	Link2-	2- LVDS differential data input (D2N)	
12	Link2+	2+ LVDS differential data input (D2P)	
13	GND	Ground	
14	CLKIN-	- LVDS differential clock input (CLKN)	
15	CLKIN+	+ LVDS differential clock input (CLKP)	
16	GND	Ground	
17	Link3-	3- LVDS differential data input (D3N)	
18	Link3+	3+ LVDS differential data input (D3P)	
19	MODE	Bit 6/8:Low(6 Bit);High(8 Bit)	
20	SC	Scan direction selector (Low: Normal ;High: Reverse)	

CN2

Pin No.	Symbol	Function	Remark
1	NC	No connection	
2	NC	No connection	
3	LED C1	LED_ Cathode 1	
4	LED A1	LED_ Anode 1	
5	LED A2	LED_ Anode 2	
6	LED C2	LED_ Cathode 2	

Contour Drawing





The non-specified tolerance of dimension is ± 0.5 mm .