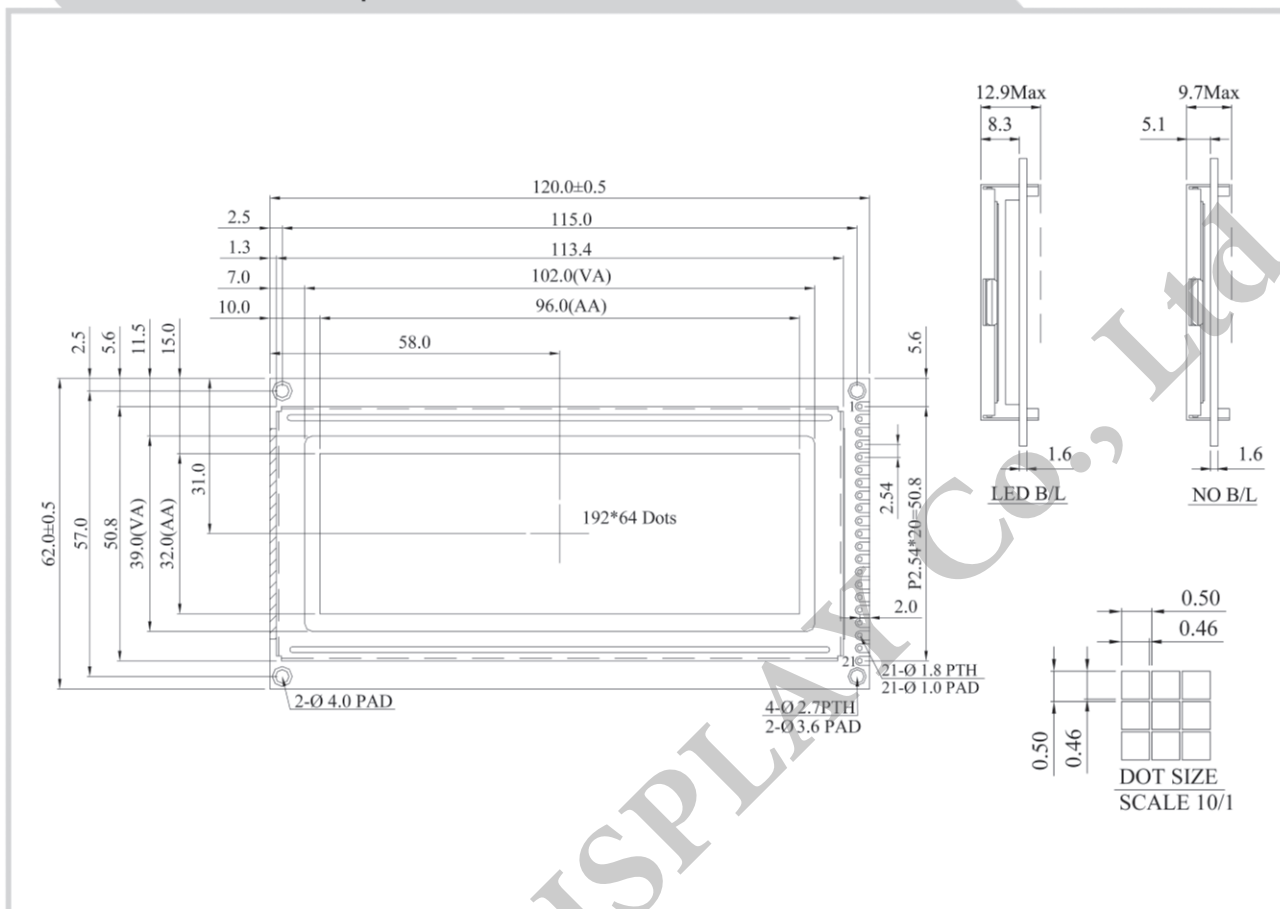


## WG19264D Graphic 192x64 dots



### Feature

1. Built-in controller (NT7108 or equivalent)
2. 5V power supply
3. 1/64 duty cycle
4. Optional N/V

Pin No.	Symbol	Description
1	VSS	Ground
2	VDD	Power supply for logic
3	NC	No connection
4	Vee	Negative Voltage Output
5	RS	Data/ Instruction select signal
6	R/W	Read/Write select signal
7	E	Enable signal
8	DB0	Data bus line
9	DB1	Data bus line
10	DB2	Data bus line
11	DB3	Data bus line
12	DB4	Data bus line
13	DB5	Data bus line
14	DB6	Data bus line
15	DB7	Data bus line
16	/CS1	Chip select IC1 ( Column 1 ~ 64)
17	/CS2	Chip select IC2 ( Column 65 ~ 128)
18	/CS3	Chip select IC3 ( Column 128 ~ 192)
19	/RST	Controller reset signal, Active Low
20	A	Power supply for B/L +
21	K	Power supply for B/L -

### Mechanical Data

Item	Standard Value	Unit
Module Dimension	120.0 x 62.0	mm
Viewing Area	102.0 x 39.0	mm
Mounting Hole	115.0 x 57.0	mm
Dot Pitch	0.50 x 0.50	mm
Dot Size	0.46 x 0.46	mm

### Electrical Characteristics

Item	Symbol	Standard Value	Unit
		typ.	
Input Voltage	VDD	5.0	V
Recommended LCD Driving Voltage for Normal Temp. Version module @25°C	VDD-VO	8.55	V