

High Voltage Diodes - Formed Lead

0.8A - 2.0A • 30ns - 50ns • Hermetic

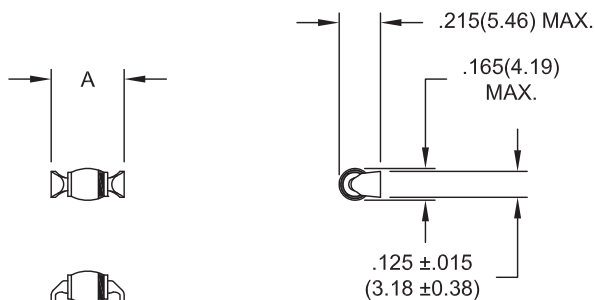
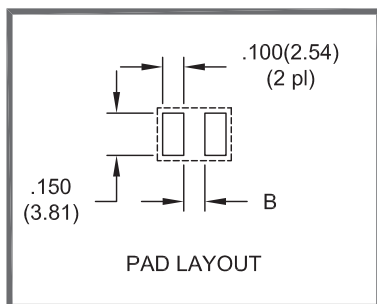
ELECTRICAL CHARACTERISTICS AND MAXIMUM RATINGS

Part Number	Working Reverse Voltage (Vrwm)	Average Rectified Current (Io)		Reverse Current @ Vrwm (Ir)		Forward Voltage (Vf)		1 Cycle Surge Current tp=8.3ms (Ifsm)	Repetitive Surge Current (Ifrm)	Reverse Recovery Time (3) (Trr)	Thermal Impd. θ_{J-C}	Junction Cap. @50VDC @1kHz (Cj)
		55°C(1)	100°C(2)	25°C	100°C	25°C						
	Volts	Amps	Amps	μ A	μ A	Volts	Amps	Amps	Amps	ns	$^{\circ}$ C/W	pF
Z20FF3LL Z50FF3LL	2000 5000	2.0 0.8	1.2 0.4	1.0 1.0	25 25	6.0 12.5	0.75 0.36	65 22	10 4	30 30	5.0 5.0	20 16
Z20FF5LL Z50FF5LL	2000 5000	2.0 0.8	1.2 0.4	1.0 1.0	25 25	6.0 12.5	0.75 0.36	65 22	10 4	50 50	5.0 5.0	20 16

(1)TC=55°C (2)TC=100°C (3)If=0.5A, Ir=1.0A, Irr=0.25A *Op. Temp.= -65°C to +175°C Stg. Temp.= -65°C to +200°C



Part	A	B
Z20FF3LL	.350(8.89) MAX.	.220 (5.59)
Z20FF5LL	.320(8.13) MIN.	(5.59)
Z50FF3LL	.390(9.91) MAX.	.260
Z50FF5LL	.350(8.89) MIN.	(6.60)



.022 ± .003
(.56 ± .08)
Dimension uncontrolled
in this area due to
solder fillet.

Dimensions: In. (mm) • All temperatures are ambient unless otherwise noted. • Data subject to change without notice.



Voltage Multipliers Inc.

8711 W. Roosevelt Ave.
Visalia, CA 93291 USA

Tel: 559.651.1402
Fax: 559.651.0740

www.voltagemultipliers.com
www.highvoltagepowersupplies.com

Z20FF3LL/5LL Z50FF3LL/5LL

2

