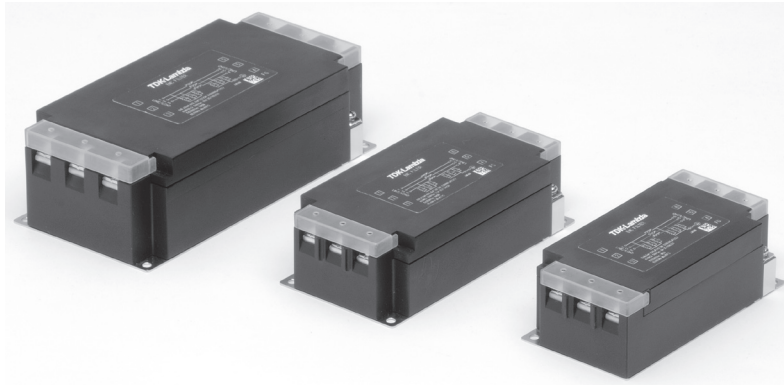


RTAN SERIES

Three-Phase External Noise Prevention Filter (For Immunity)



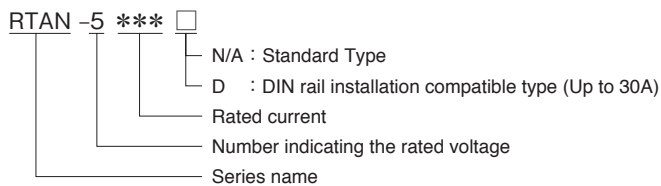
FEATURES

- Self-tightening screws and an open/close type cover make wiring work easier.
- Small and light plastic body.
- Low-profile design.
- Best for high-voltage pulse noise prevention.
- DIN rail installation compatible type is also available.

SAFETY STANDARDS

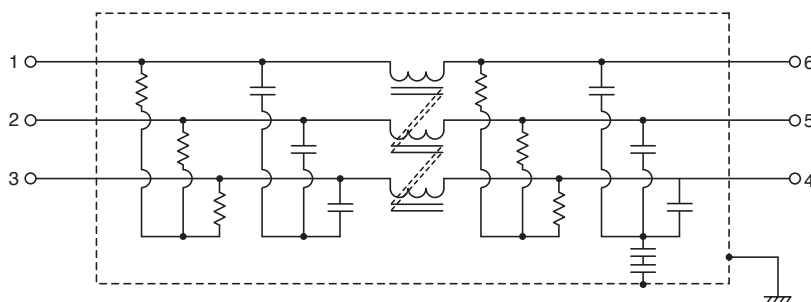
UL1283 UL File No. E62388
 EN60939-1/-2 (ENEC14) Licence Ref. No. SE/07115-5

PRODUCT IDENTIFICATION



CONFORMITY TO RoHS Directive

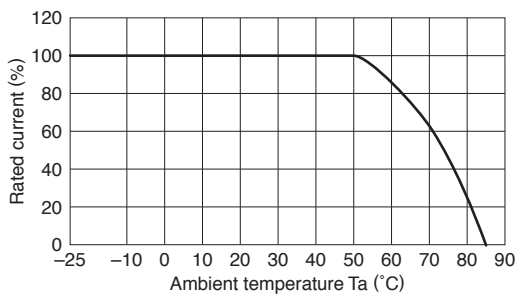
CIRCUIT DIAGRAM



ELECTRICAL CHARACTERISTICS

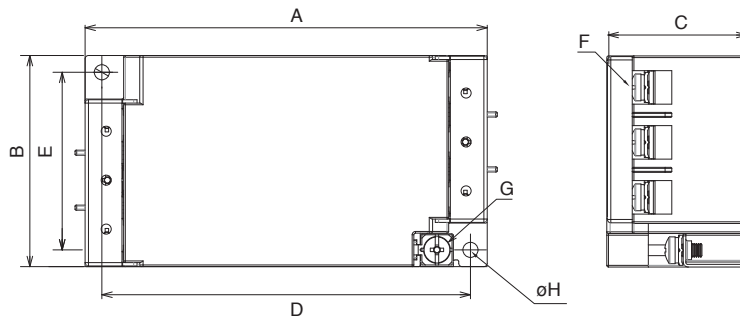
Part No.	Rated voltage (AC/DC)	Rated current (AC/DC)	Withstand voltage	Insulation resistance	Leakage current	Operating temperature range	With derating over	DC resistance (mΩ)	Attenuation frequency range (MHz)		Weight (kg)
									Common mode	Differential mode	
									at 25dB	at 25dB	
RTAN-5006	500V	6A	AC.2500V 60s [Between line to ground]	100MΩ min. [DC.500V/ 1min]	2.5mA max. [250V/60Hz]	-25 to +85°C	50°C	145 max.	0.2 to 10	0.2 to 30	0.36
RTAN-5010		10A						60 max.	0.3 to 10	0.2 to 30	0.36
RTAN-5020		20A						25 max.	0.4 to 10	0.2 to 30	0.57
RTAN-5030		30A						13 max.	0.6 to 10	0.3 to 30	0.57
RTAN-5040		40A						10 max.	0.5 to 8	0.2 to 30	1.12
RTAN-5050		50A						7 max.	0.6 to 10	0.3 to 30	1.12
RTAN-5060		60A						5 max.	0.7 to 10	0.3 to 30	1.12

DERATING GRAPH

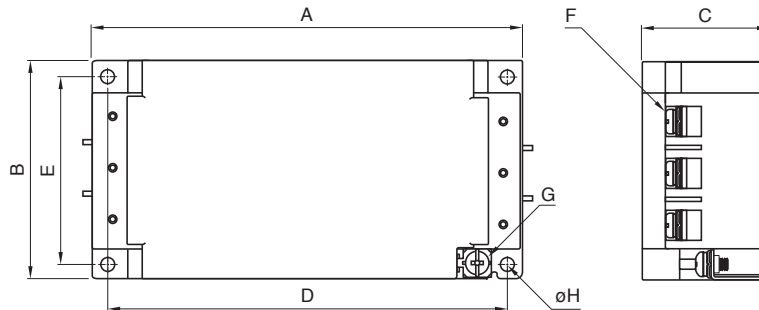


MECHANICAL

RTAN-5006/5010



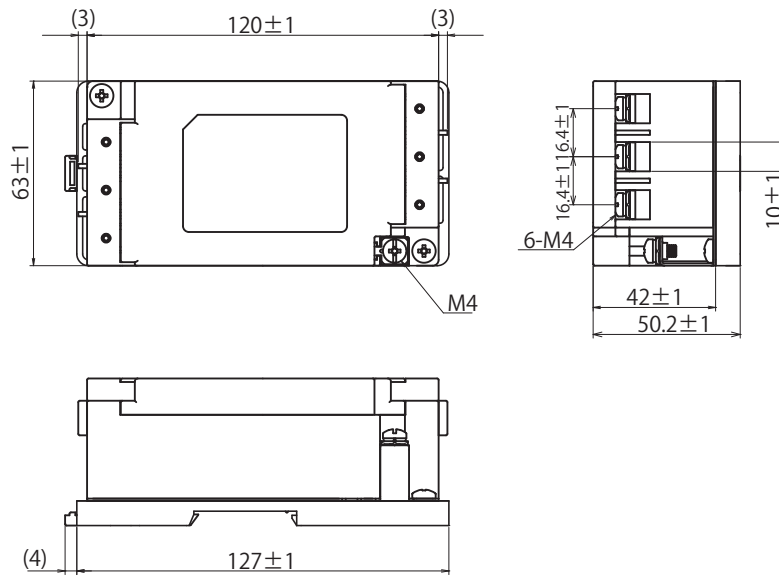
RTAN-5020/5030/5040/5050/5060



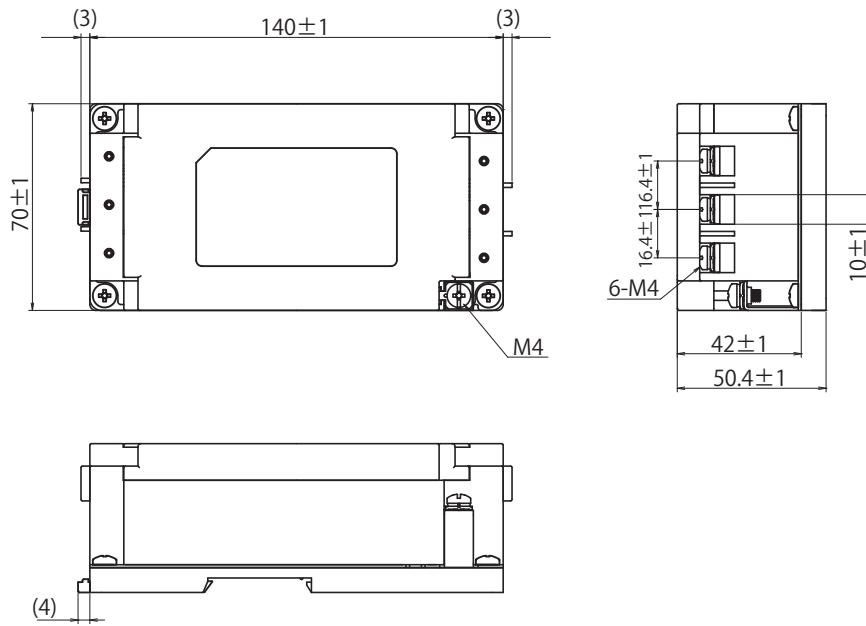
Dimensions in mm

Part No.	A	B	C	D	E	F	G	φH	Recommended clamping torque
RTAN-5006	120	63	42	110	53	M4	M4	4.5	M4 : 1.27N · m M5 : 2.5N · m
RTAN-5010									
RTAN-5020	140	70	42	130	60	M4	M4	4.5	
RTAN-5030									
RTAN-5040									
RTAN-5050	170	90	54	160	80	M5	M4	4.5	
RTAN-5060									

RTAN-5006D/5010D



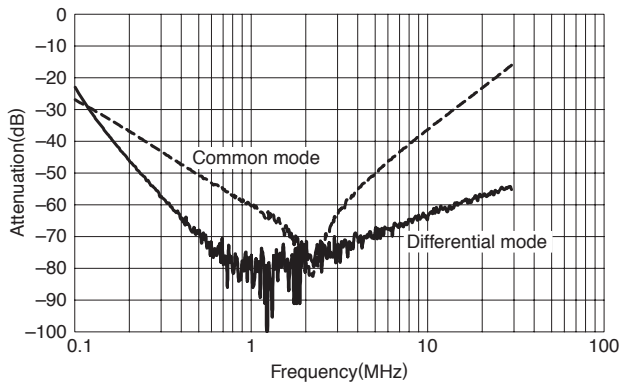
RTAN-5020D/5030D



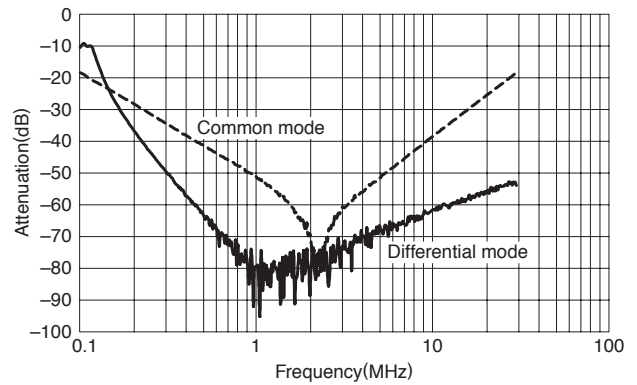
Dimensions in mm

■ ATTENUATION vs. FREQUENCY CHARACTERISTICS

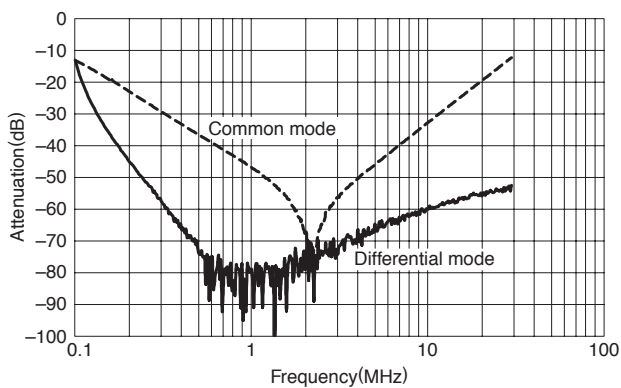
RTAN-5006



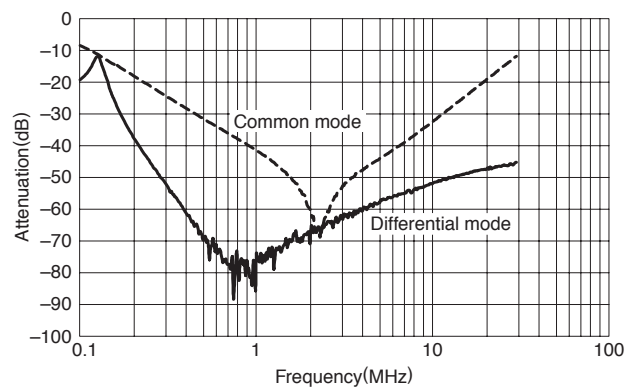
RTAN-5010



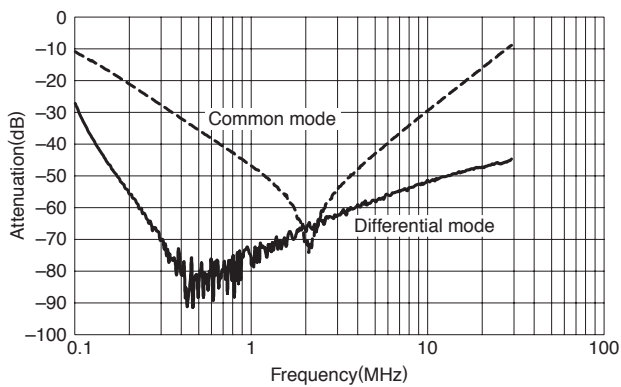
RTAN-5020



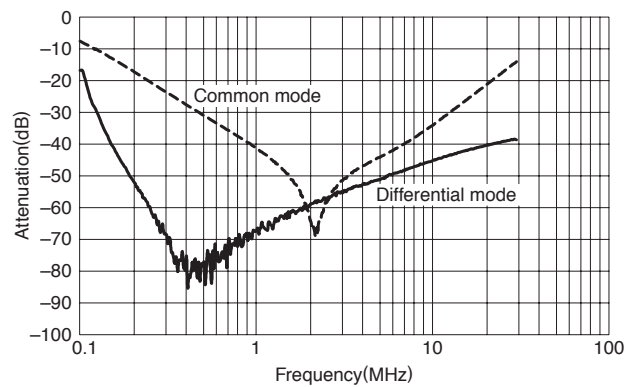
RTAN-5030



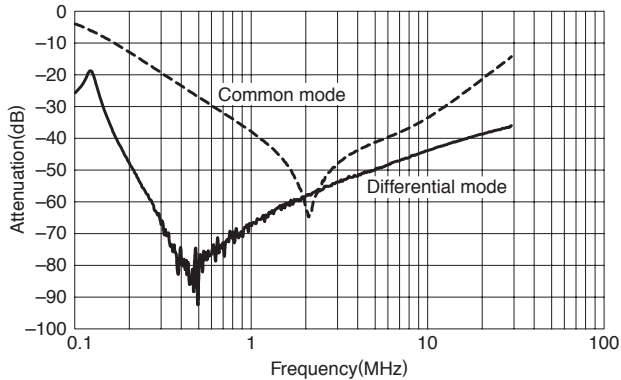
RTAN-5040



RTAN-5050

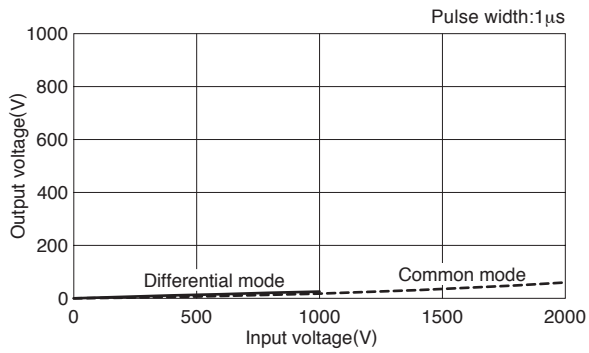


RTAN-5060

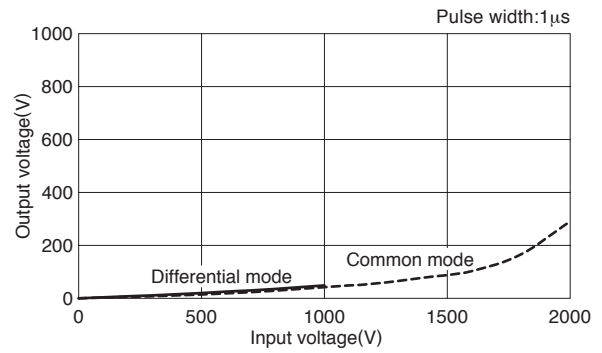


PULSE ATTENUATION CHARACTERISTICS

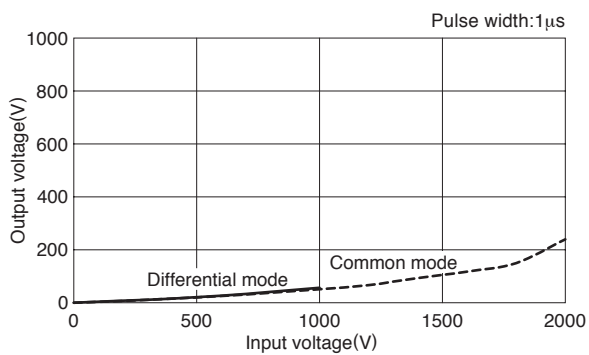
RTAN-5006



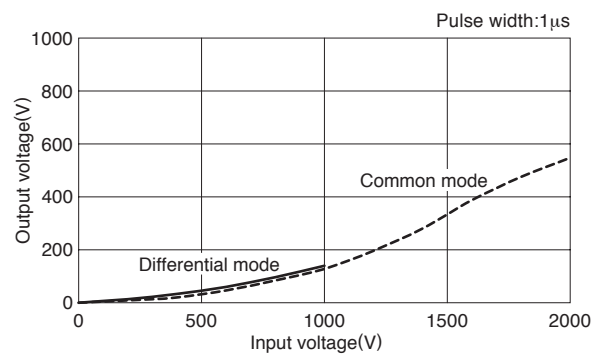
RTAN-5010



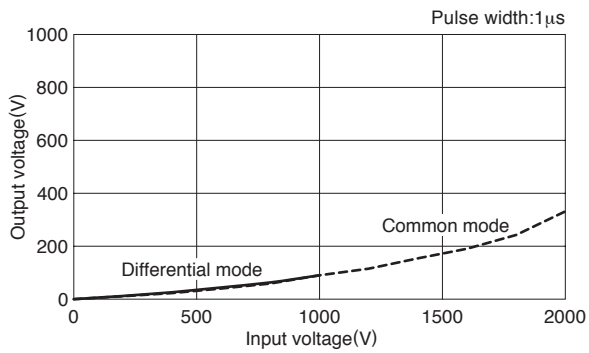
RTAN-5020



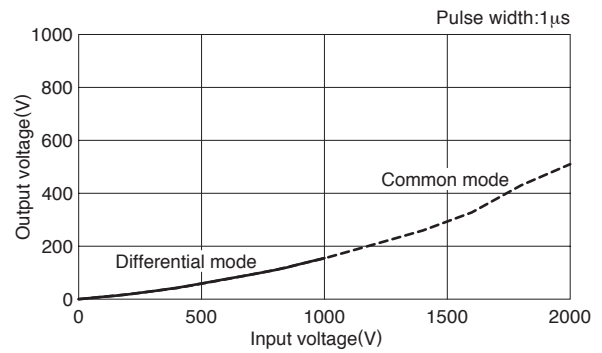
RTAN-5030



RTAN-5040



RTAN-5050



RTAN-5060

