

# DC AXIAL FAN 60x60x25mm



**Housing/Blade:** Thermoplastic PBT, UL 94V-0  
**Insulation Resistance:** 10MΩ, 500VDC/min between bare wire and frame  
**Dielectric Strength:** 5mA max. 500VAC/min between bare wire and frame  
**Operation Temperature:** -10°C~70°C(Humidity 35%-85%RH)  
**Storage Temperature:** -40°C~70°C(Humidity 35%-85%RH)  
**Lead Wire:** UL Type #26 AWG  
**Weight:** 48 g      **Packing:** 200PCS/CTN



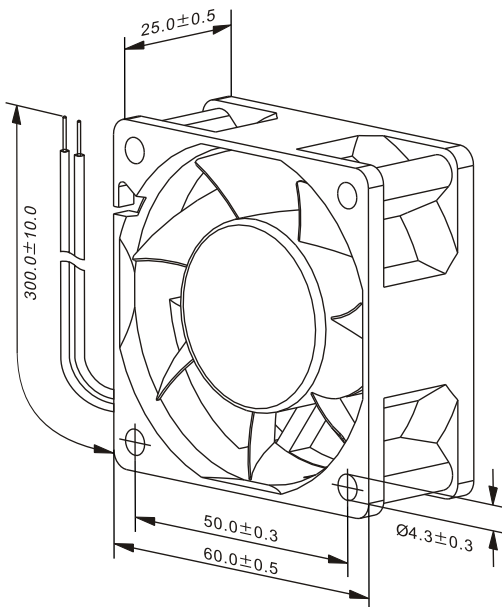
**SS** **IP** **SF**

DC Axial Fans

Model Number	Voltage (VDC)	Op.Voltage (VDC)	AirFlow (CFM)	StaticPres. (mm-H <sub>2</sub> O)	Noise (dBA)	Speed (RPM)	Current (mA)	Power (W)	Available Bearing	Curves
FD6025B12W3-73A	12	10.8~13.2	14.90	1.90	24.40	2,600	220	2.64	B,S	①
FD6025B12W3-73B	12	10.8~13.2	21.00	3.30	31.40	3,400	220	2.64	B,S	②
FD6025B12W5-73A	12	10.8~13.2	22.70	4.50	35.90	4,200	350	4.20	B,S	③
FD6025B12W5-73B	12	10.8~13.2	28.30	6.30	40.20	5,000	350	4.20	B,S	④
FD6025B12W7-73A	12	10.8~13.2	32.90	8.20	44.30	5,800	550	6.60	B,S	⑤
FD6025B12W7-73B	12	10.8~13.2	37.60	10.50	48.70	6,600	550	6.60	B,S	⑥

• For "Sleeve" bearing version, change the "B" in the model number to "S".

Specifications are subject to change without notice



unit: mm

