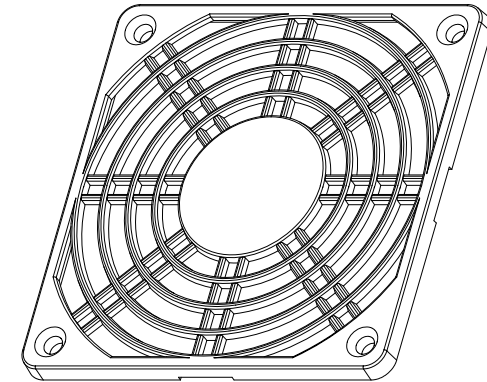
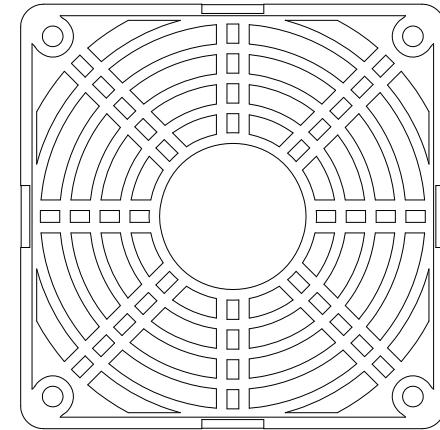
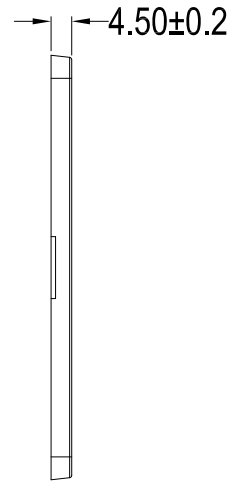
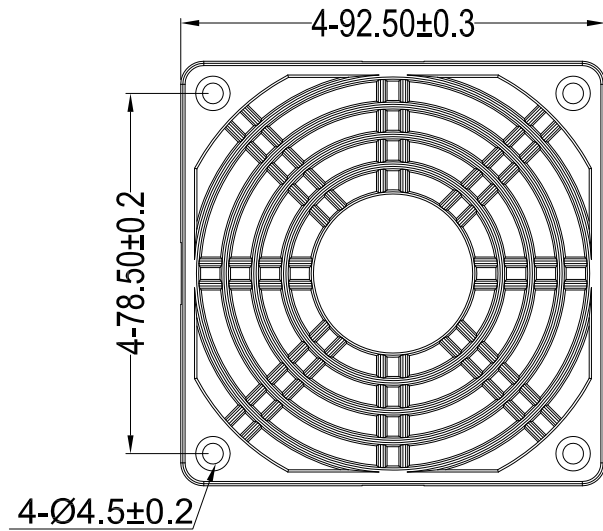


REVISED RECORD				
REV NO.	CONTENT	CHG BY	DATE	APPROVED BY
B0			01/18/2014	Gavin



Fits for Fan Size:

92*92*25mm 92*92*32mm 92*92*38mm

Specifications:

- * Materials: ABS RoHS , UL rated 94V0 .
- * Ring spacing comply with safety agency Regulations .
- * Flat with Thru - hole style .
- * No Burr , Flash , Bruising , Scratches .
- *Product not deformation .

UNLESS OTHERWISE SPECIFIED	TOLERANCES	UNITS
0 < L ≤ 20	± 0.05	
20 < L ≤ 50	± 0.07	
50 < L ≤ 100	± 0.10	
100 < L ≤ 150	± 0.15	
100 < L	± 0.20	

COOLTRON INDUSTRIAL SUPPLY, INC.



DRAWN	Gavin	DATE	01/18/2014	TITLE	FGP-090A-1	
CHECKED		DATE		Drawing Number		
APPROVED		DATE		Process:	SCALE 1:1	SHT 1 OF 1
THIRD ANGLE			PROJECT			