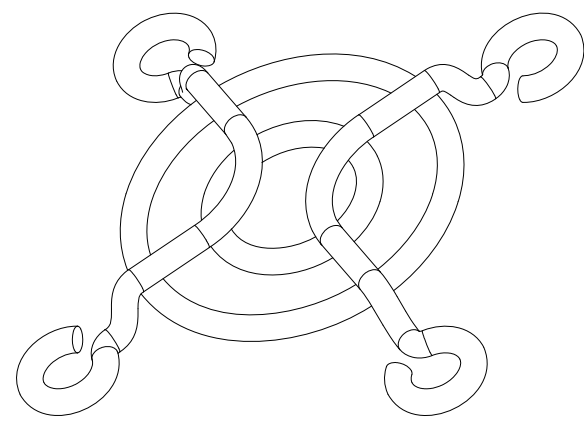
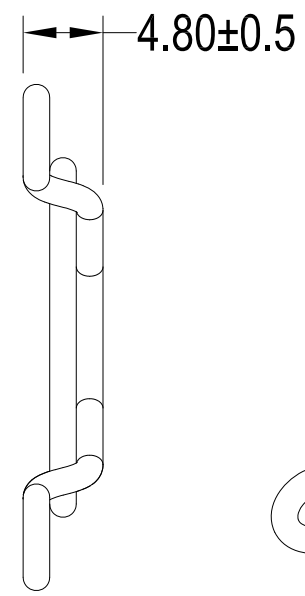
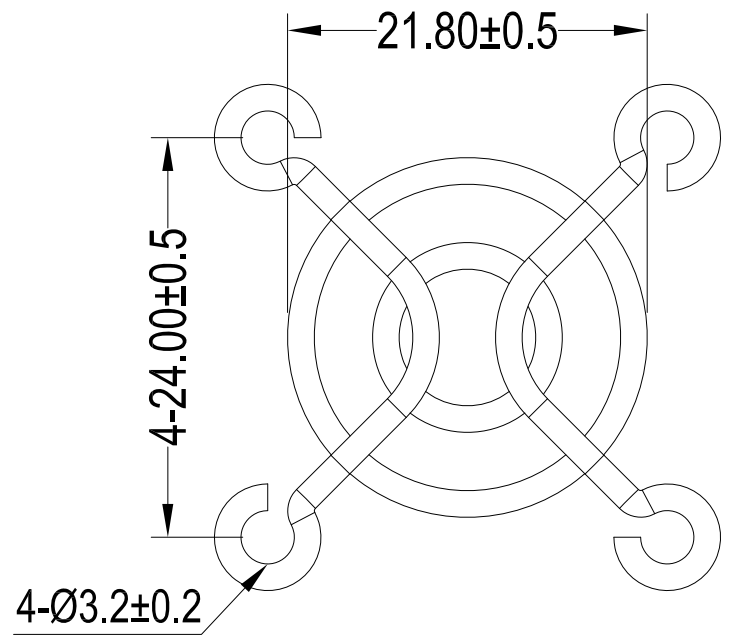


REVISED RECORD				
REV NO.	CONTENT	CHG BY	DATE	APPROVED BY
B0			01/18/2014	Gavin



Fits for Fan Size:
30*30*06mm 30*30*10mm

- Specifications:
- * Materials: Bright basic wire.
 - * Finish: bright nickel chrome plating.
 - ① Rings are $\varnothing 1.6 \pm 0.1$
 - ② Ribs are $\varnothing 1.6 \pm 0.1$
 - * Weld joints to withstand 88 lbs pull force.
 - * Part meets $\varnothing 6.35$ mm plug gauge test.

UNLESS OTHERWISE SPECIFIED TOLERANCES		COOLTRON INDUSTRIAL SUPPLY, INC.											
X. XXX	± 0.127	UNITS											
X. XX	± 0.15												
X. X	± 0.2	MM	DRAWN	Gavin	DATE	01/18/2014	TITLE	FGW-030A-1					
X. X°	$\pm 0.5^\circ$		CHECKED		DATE		Drawing Number						
THIRD ANGLE				APPROVED		DATE		Process:		SCALE	1:1	SHT	1 OF 1
		PROJECT											