

## ISG Series



- Regulated Single Output
- SMD Package
- Industry Standard Pinout
- 1000 VDC Isolation
- Short Circuit Protection
- MTBF >3.5 Mhrs
- 3 Year Warranty

### Specification

#### Input

- Input Voltage Range • Nominal  $\pm 5\%$
- Input Reverse Voltage Protection • None

#### Output

- Output Voltage • See table
- Minimum Load • 10%<sup>(2)</sup>
- Line Regulation •  $\pm 0.25\%$
- Load Regulation •  $\pm 1\%$ , 10-100% load change
- Setpoint Accuracy •  $\pm 3\%$  at 100% load
- Ripple & Noise • 100 mV pk-pk 20 MHz bandwidth
- Temperature Coefficient • 0.03%/°C
- Short Circuit Protection • Continuous

#### General

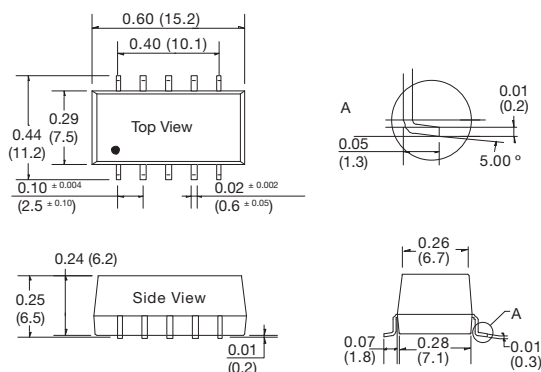
- Efficiency • See table
- Isolation Voltage • 1000 VDC
- Isolation Resistance •  $10^9 \Omega$
- Switching Frequency • 100 kHz typical at nominal input, full load
- MTBF • >3.5 Mhrs to MIL-HDBK-217F at 25 °C, GB

#### Environmental

- Operating Temperature • -40 °C to +85 °C, derate from 100% load at 70 °C to 60% load at 85 °C
- Storage Temperature • -55 °C to +125 °C
- Case Temperature • 100 °C max
- Cooling • Convection-cooled
- Lead Temperature • 260 °C, 0.06 in (1.5 mm) from case, 10 s

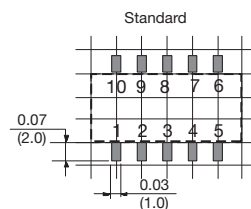
Input Voltage	Output Voltage	Output Current	Efficiency (typical)	Model Number
5 VDC	5 V	150 mA	68%	ISG0505A

### Mechanical Details



#### Recommended footprint

Top view grid: 0.1 x 0.1 in (2.54 x 2.54 mm)



Pin	Standard
1	GND
2	Vin
4	0V
7	+Vo
3, 6, 8, 9	N.C.
5, 10	N.C.

N.C. Not connected

#### Notes

1. Operation at no load will not damage device but may not meet all specifications.
2. All dimensions in inches (mm)
3. Tolerance:  $\pm 0.010$  ( $\pm 0.25$ )
4. Weight: 0.003 lbs (1.7 g)
5. Pin tolerance:  $\pm 0.004$  ( $\pm 0.10$  mm)