

- ◆ MOSFET Output
- ◆ Load Voltage: 48VDC, 100VDC
- ◆ Load Current: 5A
- ◆ Dielectric Strength: 2500Vrms
- ◆ RoHS Compliant



Ordering Information

KSF	48	D	5	-12	(XXX)
KSF Series	Load Voltage 48: 48VDC 100: 100VDC	DC Control	Load Current 5: 5Amp	Control Voltage 5: 4-6VDC 12: 9.6-14.4VDC 24: 19.2-28.8VDC W: 4-32VDC	Customized Code

General Specifications

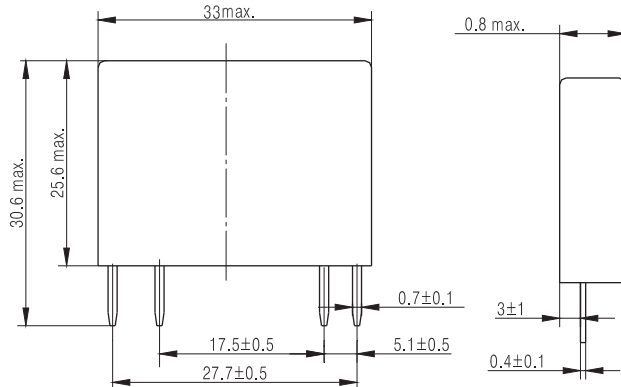
Input Specifications (Ta=25°C)		
Control Voltage Range	5	4-6VDC
	12	9.6-14.4VDC
	24	19.2-28.8VDC
	W	4-32VDC
Must Turn-On Voltage	5/W	4VDC
	12	9.6VDC
	24	19.2VDC
Must Turn-Off Voltage	1VDC	
Maximum Input Current	5	25mA (@6VDC)
	12	25mA (@14.4VDC)
	24	25mA (@28.8VDC)
	W	25mA (@32VDC)
Output Specifications (Ta=25°C)		
Load Voltage Range	48VDC	0-48VDC
	100VDC	0-100VDC
Maximum Transient Overvoltage	48VDC	48Vpk
	100VDC	100Vpk
Load Current Range	0.02-5A	
Maximum Surge Current (@10ms)	50A	
Maximum On-State Resistance	48VDC	37mΩ
	100VDC	100mΩ
Output Specifications (Ta=25°C)		
Maximum Turn-On Time	1ms	
Maximum Turn-Off Time	1ms	
Maximum Off-State Leakage Current@Rated Load Voltage	0.1mA	

General Specifications (Ta=25°C)	
Dielectric Strength (50/60Hz)	2500Vrms
Minimum Insulation Resistance (@500VDC)	1000MΩ
Ambient Temperature Range	-30°C ~ +80°C
Storage Temperature Range	-30°C ~ +100°C
Weight (Typical)	20g

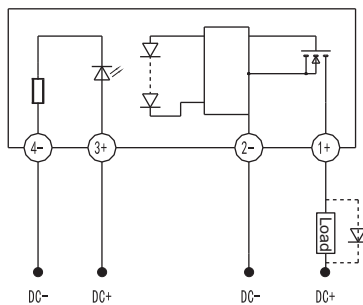
Applications

Suitable for DC motor, electromagnetic valve, electromagnet control, and etc.

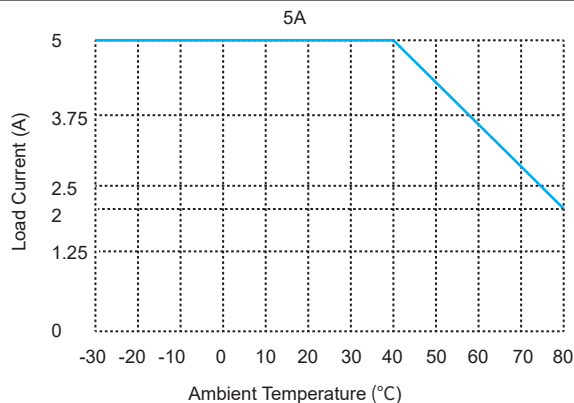
Outline Dimensions



Wiring Diagram



Thermal Derating Curve



General Notes

1. Soldering must be finished within 10 seconds at 260°C, or finished within 5 seconds at 350°C. Otherwise it may cause damage to the relay.
2. Terminal polarity must be observed. Otherwise it may cause damage to the relay.
3. When ambient temperature is above 25°C, the maximum load current decreases. See thermal derating curve.

Agency Approvals (Certification)

