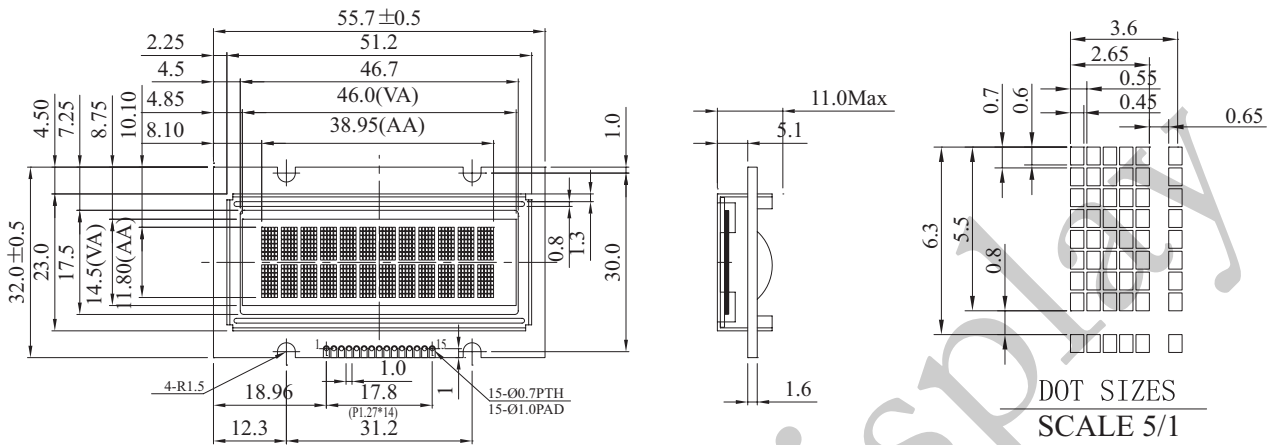




WEH001202A OLED Character 12x2

Dimension drawing



DOT SIZES
SCALE 5/1

Feature

- 12x2 dots includes cursor
- Built-in Controller WS0010
- +5V power supply, +3V optional
- 1/16 duty cycle
- Interface: 6800, option 8080 & SPI
- Sunlight readable & polarizer optional

Pin No.	Symbol	Description
1	VSS	Ground
2	VDD	Supply Voltage for logic
3	NC	
4	RS	H: DATA, L: Instruction code
5	R/W	H: Read(MPU←Module)
	E	L: Write(MPU→Module)
6	DB0	H→L Enable Signal
7	DB1	Data bit 0
8	DB2	Data bit 1
9	DB3	Data bit 2
10	DB4	Data bit 3
11	DB5	Data bit 4
12	DB6	Data bit 5
13	DB7	Data bit 6
14	NC	Data bit 7
15	NC	

Mechanical Data

Item	Dimension	Unit
Module dimension	55.7 x 32.0 x 11.0(MAX)	mm
View area	46.0 x 14.5	mm
Active area	38.95 x 11.80	mm
Mounting hole	31.2 x 30.0	mm
Dot size	0.45 x 0.6	mm
Dot pitch	0.55 x 0.70	mm
Character size	2.65 x 5.5	mm
Character pitch	3.6 x 6.3	mm

Absolute Maximum Rating

Item	Symbol	Min	Max	Unit	Notes
Input Voltage	V _I	-0.3	VDD	V	
Supply Voltage For Logic	VDD-V _{SS}	-0.3	5.3	V	

Electrical Characteristics

Item	Symbol	Condition	Min	Typ	Max	Unit
Supply Voltage For Logic	VDD-VSS	-	3.0	5.0	5.3	V
Input High Volt.	V _{IH}	-	0.9 VDD	-	VDD	V
Input Low Volt.	V _{IL}	-	GND	-	0.1VDD	V
Output High Volt.	V _{OH}	I _{OH} =0.5mA	0.8 VDD	-	VDD	V
Output Low Volt.	V _{OL}	I _{OL} =0.5mA	GND	-	0.2 VDD	V
Supply Current	I _{DD}	VDD=5V	-	32	-	mA

OLED Character
type